

# SECTION **SRS**

## SUPPLEMENTAL RESTRAINT SYSTEM (SRS)

A  
B  
C

### CONTENTS

<p><b>SERVICE INFORMATION</b> ..... 2</p> <p><b>DTC INDEX</b> ..... 2</p> <p style="padding-left: 20px;">B1001-B1015 .....2</p> <p style="padding-left: 20px;">B1017-B1035 .....2</p> <p style="padding-left: 20px;">B1042-B1057 .....3</p> <p style="padding-left: 20px;">B1058-B1073 .....3</p> <p style="padding-left: 20px;">B1074-B1089 .....4</p> <p style="padding-left: 20px;">B1106-B1120 .....4</p> <p style="padding-left: 20px;">B1122-B1137 .....5</p> <p style="padding-left: 20px;">B1138-B1153 .....5</p> <p style="padding-left: 20px;">B1202-B1210 .....5</p> <p><b>PRECAUTIONS</b> ..... 7</p> <p style="padding-left: 20px;">Precaution for Supplemental Restraint System (SRS) "AIR BAG" and "SEAT BELT PRE-TENSIONER" .....7</p> <p style="padding-left: 20px;">Precaution for SRS "AIR BAG" and "SEAT BELT PRE-TENSIONER" Service .....7</p> <p style="padding-left: 20px;">Occupant Classification System Precaution .....7</p> <p><b>PREPARATION</b> ..... 8</p> <p style="padding-left: 20px;">Commercial Service Tool .....8</p> <p><b>SUPPLEMENTAL RESTRAINT SYSTEM (SRS)</b> ..... 9</p> <p style="padding-left: 20px;">SRS Configuration .....9</p> <p style="padding-left: 20px;">Front Seat Belt Pre-tensioner with Load Limiter ....10</p> <p style="padding-left: 20px;">Front Side Air Bag .....10</p> <p style="padding-left: 20px;">Side Curtain Air Bag .....10</p> <p style="padding-left: 20px;">Occupant Classification System (OCS) .....10</p> <p style="padding-left: 20px;">Passenger Air Bag Status Condition .....11</p> <p style="padding-left: 20px;">Component Parts of Occupant Classification System .....11</p> <p><b>TROUBLE DIAGNOSIS</b> .....12</p> <p style="padding-left: 20px;">Trouble Diagnosis Introduction .....12</p> <p style="padding-left: 20px;">Component Parts Location .....14</p> <p style="padding-left: 20px;">Schematic .....15</p> <p style="padding-left: 20px;">Wiring Diagram - SRS - .....16</p>	<p style="padding-left: 20px;">CONSULT-III Function .....21</p> <p style="padding-left: 20px;">Self-Diagnosis Function (Without CONSULT-III) ....22</p> <p style="padding-left: 20px;">SRS Operation Check .....23</p> <p style="padding-left: 20px;">Trouble Diagnosis with CONSULT-III .....24</p> <p style="padding-left: 20px;">Trouble Diagnosis without CONSULT-III .....28</p> <p style="padding-left: 20px;">Trouble Diagnosis: "AIR BAG" Warning Lamp Does Not Turn OFF .....32</p> <p style="padding-left: 20px;">Trouble Diagnosis: "AIR BAG" Warning Lamp Does Not Turn ON .....32</p> <p><b>DRIVER AIR BAG MODULE</b> .....34</p> <p style="padding-left: 20px;">Removal and Installation .....34</p> <p><b>SPIRAL CABLE</b> .....36</p> <p style="padding-left: 20px;">Removal and Installation .....36</p> <p><b>FRONT PASSENGER AIR BAG MODULE</b> .....38</p> <p style="padding-left: 20px;">Removal and Installation .....38</p> <p><b>SIDE CURTAIN AIR BAG MODULE</b> .....40</p> <p style="padding-left: 20px;">Removal and Installation .....40</p> <p><b>CRASH ZONE SENSOR</b> .....42</p> <p style="padding-left: 20px;">Removal and Installation .....42</p> <p><b>SIDE AIR BAG (SATELLITE) SENSOR</b> .....43</p> <p style="padding-left: 20px;">Removal and Installation .....43</p> <p><b>DIAGNOSIS SENSOR UNIT</b> .....44</p> <p style="padding-left: 20px;">Removal and Installation .....44</p> <p><b>FRONT SEAT BELT PRE-TENSIONER</b> .....45</p> <p style="padding-left: 20px;">Removal and Installation .....45</p> <p><b>OCCUPANT CLASSIFICATION SYSTEM CONTROL UNIT</b> .....46</p> <p style="padding-left: 20px;">Removal and Installation .....46</p> <p><b>COLLISION DIAGNOSIS</b> .....47</p> <p style="padding-left: 20px;">For Frontal Collision .....47</p> <p style="padding-left: 20px;">For Side Collision .....48</p>
---	---

D  
E

F  
G

SRS

I  
J

K  
L

M  
N

O  
P

# DTC INDEX

< SERVICE INFORMATION >

## SERVICE INFORMATION

### DTC INDEX

B1001-B1015

INFOID:000000001524145

DTC	Items (CONSULT screen terms)	Reference
B1001	DIAGNOSIS SENSOR UNIT	<a href="#">SRS-24, "Trouble Diagnosis with CONSULT-III"</a>
B1002		
B1003		
B1004		
B1005		
B1006		
B1007		
B1008		
B1009		
B1010		
B1011		
B1012		
B1013		
B1014		
B1015		

B1017-B1035

INFOID:000000001524146

DTC	Items (CONSULT screen terms)	Reference
B1017	OCCUPANT SENSOR C/U	<a href="#">SRS-24, "Trouble Diagnosis with CONSULT-III"</a>
B1018	OCCUPANT SENS	
B1019	BELT TENSION SENS	
B1020	OCCUPANT SENSOR C/U	
B1021		
B1022	OCCUPANT SENS C/U	
B1023	PASS A/B INDCTR CKT	
B1026	DIAGNOSIS SENSOR UNIT	
B1027		
B1028		
B1029		
B1030		
B1031		
B1033	CRASH ZONE SEN	
B1034		
B1035		

# DTC INDEX

< SERVICE INFORMATION >

## B1042-B1057

INFOID:000000001524147

DTC	Items (CONSULT screen terms)	Reference
B1042	DIAGNOSIS SENSOR UNIT	<a href="#">SRS-24, "Trouble Diagnosis with CONSULT-III"</a>
B1043		
B1044		
B1045		
B1046		
B1047		
B1049		
B1050	DRIVER AIR BAG MODULE	
B1051		
B1052		
B1054		
B1055		
B1056		
B1057		

A  
B  
C  
D  
E  
F  
G

## B1058-B1073

INFOID:000000001524148

SRS

DTC	Items (CONSULT screen terms)	Reference
B1058	DIAGNOSIS SENSOR UNIT	<a href="#">SRS-24, "Trouble Diagnosis with CONSULT-III"</a>
B1059		
B1060		
B1061		
B1062		
B1063		
B1065	ASSIST A/B MODULE	
B1066		
B1067		
B1068		
B1070		
B1071		
B1072		
B1073		

I  
J  
K  
L  
M  
N  
O  
P

# DTC INDEX

< SERVICE INFORMATION >

## B1074-B1089

INFOID:000000001524149

DTC	Items (CONSULT screen terms)	Reference
B1074	DIAGNOSIS SENSOR UNIT	<a href="#">SRS-24, "Trouble Diagnosis with CONSULT-III"</a>
B1075		
B1076		
B1077		
B1078		
B1079		
B1081	PRE-TEN FRONT RH	
B1082		
B1083		
B1084		
B1086	PRE-TEN FRONT LH	
B1087		
B1088		
B1089		

## B1106-B1120

INFOID:000000001524150

DTC	Items (CONSULT screen terms)	Reference
B1106	DIAGNOSIS SENSOR UNIT	<a href="#">SRS-24, "Trouble Diagnosis with CONSULT-III"</a>
B1107		
B1108		
B1109		
B1110		
B1111		
B1113	SATELLITE SENS RH	
B1114		
B1115		
B1118	SATELLITE SENS LH	
B1119		
B1120		

# DTC INDEX

< SERVICE INFORMATION >

## B1122-B1137

INFOID:000000001524151

DTC	Items (CONSULT screen terms)	Reference
B1122	DIAGNOSIS SENSOR UNIT	<a href="#">SRS-24, "Trouble Diagnosis with CONSULT-III"</a>
B1123		
B1124		
B1125		
B1126		
B1127		
B1129	SIDE MODULE RH	
B1130		
B1131		
B1132		
B1134	SIDE MODULE LH	
B1135		
B1136		
B1137		

A  
B  
C  
D  
E  
F  
G

## B1138-B1153

INFOID:000000001524152

**SRS**

DTC	Items (CONSULT screen terms)	Reference
B1138	DIAGNOSIS SENSOR UNIT	<a href="#">SRS-24, "Trouble Diagnosis with CONSULT-III"</a>
B1139		
B1140		
B1141		
B1142		
B1143		
B1145	CURTAIN MODULE RH	
B1146		
B1147		
B1148		
B1150	CURTAIN MODULE LH	
B1151		
B1152		
B1153		

I  
J  
K  
L  
M  
N

## B1202-B1210

INFOID:000000001524153

DTC	Items (CONSULT screen terms)	Reference
B1202	DIAGNOSIS SENSOR UNIT	<a href="#">SRS-24, "Trouble Diagnosis with CONSULT-III"</a>
B1203		
B1204		
B1205		
B1206		
B1207		

O  
P

## DTC INDEX

< SERVICE INFORMATION >

DTC	Items (CONSULT screen terms)	Reference
B1209	FRONTAL COLLISION	<a href="#">SRS-47, "For Frontal Collision"</a>
B1210	SIDE COLLISION	<a href="#">SRS-48, "For Side Collision"</a>

# PRECAUTIONS

< SERVICE INFORMATION >

## PRECAUTIONS

### Precaution for Supplemental Restraint System (SRS) "AIR BAG" and "SEAT BELT PRE-TENSIONER"

INFOID:000000001612877

The Supplemental Restraint System such as "AIR BAG" and "SEAT BELT PRE-TENSIONER", used along with a front seat belt, helps to reduce the risk or severity of injury to the driver and front passenger for certain types of collision. This system includes seat belt switch inputs and dual stage front air bag modules. The SRS system uses the seat belt switches to determine the front air bag deployment, and may only deploy one front air bag, depending on the severity of a collision and whether the front occupants are belted or unbelted. Information necessary to service the system safely is included in the "SUPPLEMENTAL RESTRAINT SYSTEM" and "SEAT BELTS" of this Service Manual.

#### **WARNING:**

- To avoid rendering the SRS inoperative, which could increase the risk of personal injury or death in the event of a collision which would result in air bag inflation, all maintenance must be performed by an authorized NISSAN/INFINITI dealer.
- Improper maintenance, including incorrect removal and installation of the SRS, can lead to personal injury caused by unintentional activation of the system. For removal of Spiral Cable and Air Bag Module, see the "SUPPLEMENTAL RESTRAINT SYSTEM".
- Do not use electrical test equipment on any circuit related to the SRS unless instructed to in this Service Manual. SRS wiring harnesses can be identified by yellow and/or orange harnesses or harness connectors.

### Precaution for SRS "AIR BAG" and "SEAT BELT PRE-TENSIONER" Service

INFOID:000000001327741

- Do not use electrical test equipment to check SRS circuits unless instructed to in this Service Manual.
- Before servicing the SRS, turn ignition switch OFF, disconnect both battery cables and wait at least 3 minutes.  
For approximately 3 minutes after the cables are removed, it is still possible for the air bag and seat belt pretensioner to deploy. Therefore, do not work on any SRS connectors or wires until at least 3 minutes have passed.
- Diagnosis sensor unit must always be installed with their arrow marks "←" pointing towards the front of the vehicle for proper operation. Also check diagnosis sensor unit for cracks, deformities or rust before installation and replace as required.
- The spiral cable must be aligned with the neutral position since its rotations are limited. Do not turn steering wheel and column after removal of steering gear.
- Handle air bag module carefully. Always place driver and front passenger air bag modules with the pad side facing upward and seat mounted front side air bag module standing with the stud bolt side facing down.
- Conduct self-diagnosis to check entire SRS for proper function after replacing any components.
- After air bag inflates, the front instrument panel assembly should be replaced if damaged.
- Always replace instrument panel pad following front passenger air bag deployment.
- Disposal, recycling, and transportation of air bag modules and seat belt pre-tensioners should be performed in compliance with applicable federal, state and local laws and regulations.

### Occupant Classification System Precaution

INFOID:000000001327742

Replace occupant classification system control unit and passenger front seat cushion as an assembly.  
Refer to Refer to Service Manual .

A  
B  
C  
D  
E  
F  
G  
I  
J  
K  
L  
M  
N  
O  
P

SRS

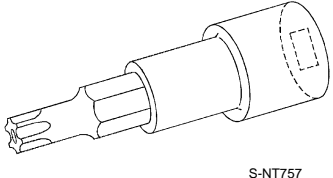
# PREPARATION

< SERVICE INFORMATION >

## PREPARATION

### Commercial Service Tool

INFOID:000000001327743

Tool name	Description
Tamper resistant TORX bit  S-NT757	



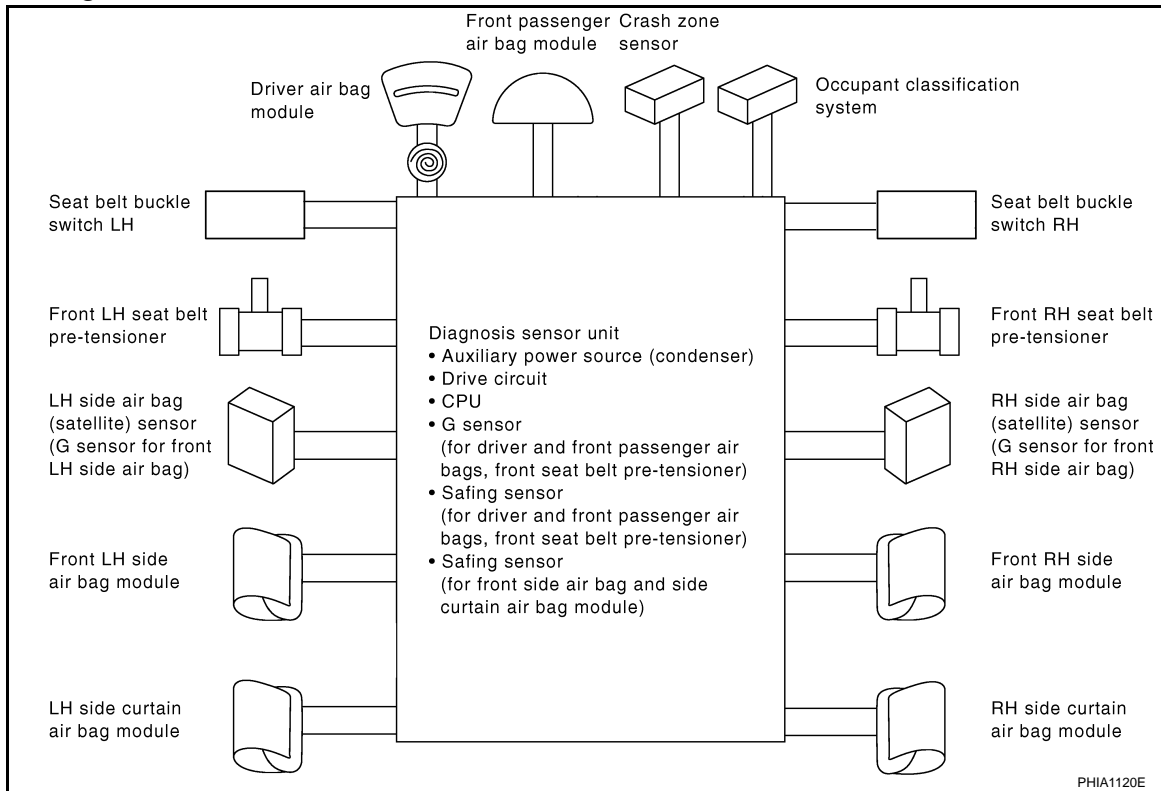
# SUPPLEMENTAL RESTRAINT SYSTEM (SRS)

< SERVICE INFORMATION >

## SUPPLEMENTAL RESTRAINT SYSTEM (SRS)

### SRS Configuration

INFOID:000000001524154



The air bag deploys if the diagnosis sensor unit activates while the ignition switch is in the ON or START position.

The collision modes for which supplemental restraint systems are activated are different among the SRS systems. For example, the driver air bag module and front passenger air bag module are activated in a frontal collision but not in a side collision.

SRS configurations which are activated for some collision modes are as follows:

SRS configuration	Frontal collision	Left side collision	Right side collision
Driver air bag module	×	—	—
Front passenger air bag module	×	—	—
Front LH seat belt pre-tensioner	×	—	—
Front RH seat belt pre-tensioner	×	—	—
Front LH side air bag module	—	×	—
Front RH side air bag module	—	—	×
LH side curtain air bag module	—	×	—
RH side curtain air bag module	—	—	×

# SUPPLEMENTAL RESTRAINT SYSTEM (SRS)

< SERVICE INFORMATION >

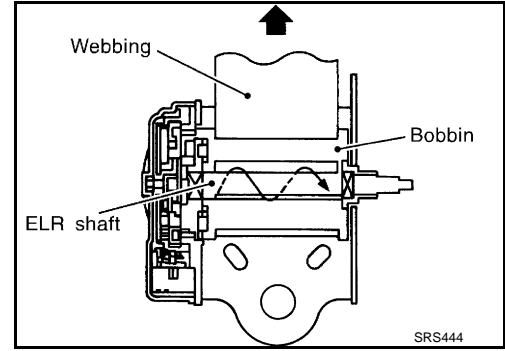
## Front Seat Belt Pre-tensioner with Load Limiter

INFOID:000000001524155

The seat belt pre-tensioner system with load limiter is installed for both the driver's seat and the front passenger's seat. It operates simultaneously with the SRS air bag system in the event of a frontal collision with an impact exceeding a specified level.

When the frontal collision with an impact exceeding a specified level occurs, seat belt slack resulting from clothing or other factors is immediately taken up by the pre-tensioner. Vehicle passengers are securely restrained.

When passengers in a vehicle are thrown forward in a collision and the restraining force of the seat belt exceeds a specified level, the load limiter permits the specified extension of the seat belt by the twisting of the ELR shaft, and a relaxation of the chest-area seat belt web tension while maintaining force.

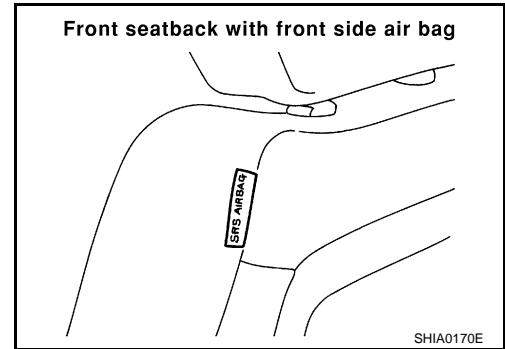


## Front Side Air Bag

INFOID:000000001524156

Front side air bag is built-in type.

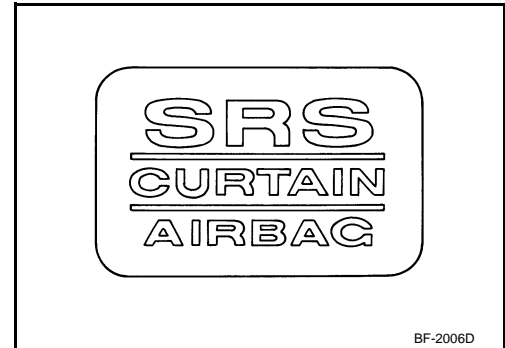
The front seatbacks with built-in type side air bag have the labels as shown.



## Side Curtain Air Bag

INFOID:000000001524157

The side curtain air bags have the labels as shown.



## Occupant Classification System (OCS)

INFOID:000000001524158

The occupant classification system identifies different size occupants, out of position occupants, and detects if child seat is present in the front passenger seat. The occupant classification system receives inputs from the occupant classification sensor (located inside the passenger seat cushion assembly) and belt tension sensor (part of the passenger front seat belt assembly and located at the belt anchor location). Depending on classification of passenger, the occupant classification system sends a signal to the diagnosis sensor unit. The diagnosis sensor unit uses this signal to determine full, partial, or non deployment of passenger front air bag in the event of a collision. Depending on the signal received, the diagnosis sensor unit can disable the passenger front air bag completely.

### NOTE:

In case of customer concern, CONSULT-III can be used to confirm the passenger air bag status (readiness).

# SUPPLEMENTAL RESTRAINT SYSTEM (SRS)

< SERVICE INFORMATION >

## Passenger Air Bag Status Condition

INFOID:000000001524159

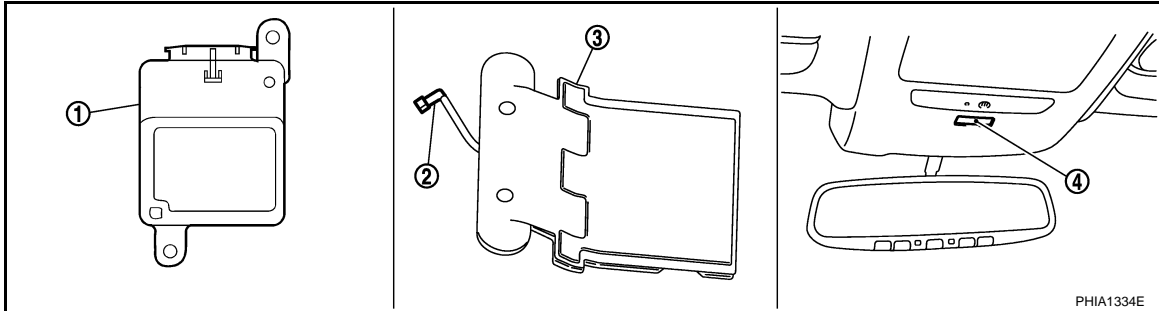
Front Passenger Seat (Condition)	PASS AIR BAG OFF Indicator (Status)	Passenger Air Bag Status (Readiness)	CONSULT-III Display
Seat occupied	OFF	Active (enabled)	ON
seat occupiedNOTE	ON	Deactivated (disabled)	OFF
Seat empty	OFF	Deactivated (disabled)	OFF

### NOTE:

Passenger does not meet Occupant classification System specifications for passenger air bag activation.

## Component Parts of Occupant Classification System

INFOID:000000001524160



1. Occupant classification system control unit
2. Occupant classification system sensor
3. Bladder
4. Front passenger air bag OFF indicator (Cut off telltaile)

## Passenger Seatbelt Warning System

### SYSTEM DESCRIPTION

This system warns when passenger seatbelt is not fasten.

This system is composed of the following items.

- Seatbelt warning lamp.
- Seatbelt buckle switch (passenger side).
- Air bag diagnosis sensor unit.
- Occupant classification system.

Seatbelt warning lamp is used for both driver seatbelt warning and passenger seatbelt warning.

Seatbelt warning lamp turs ON when all conditions below are met.

- Driver seatbelt is fastend.
- Occupant is on passenger seat.
- Passenger seatbelt is not fasten.

A  
B  
C  
D  
E  
F  
G  
I  
J  
K  
L  
M  
N  
O  
P

SRS

# TROUBLE DIAGNOSIS

< SERVICE INFORMATION >

## TROUBLE DIAGNOSIS

### Trouble Diagnosis Introduction

INFOID:000000001524161

#### CAUTION:

- Do not use electrical test equipment on any circuit related to the SRS unless instructed in this Service Manual. SRS wiring harnesses can be identified by yellow and/or orange harnesses or harness connectors.
- Do not repair, splice or modify the SRS wiring harness. If the harness is damaged, replace it with a new one.
- Keep ground portion clean.

#### DIAGNOSIS FUNCTION

The SRS self-diagnostic results can be read by using "AIR BAG" warning lamp and/or CONSULT-III.

The User mode is exclusively prepared for the customer (driver). This mode warns the driver of a system malfunction through the operation of the "AIR BAG" warning lamp.

The Diagnosis mode allows the technician to locate and inspect the malfunctioning part.

The mode applications for the "AIR BAG" warning lamp and CONSULT-III are as follows:

	User mode	Diagnosis mode	Display type
"AIR BAG" warning lamp	X	X	ON-OFF operation
CONSULT-III	—	X	Monitoring

#### HOW TO PERFORM TROUBLE DIAGNOSIS FOR QUICK AND ACCURATE REPAIR

A good understanding of the malfunction conditions can make troubleshooting faster and more accurate.

In general, each customer feels differently about a malfunction. It is important to fully understand the symptoms or conditions for a customer complaint.

Information from Customer

WHAT..... Vehicle model

WHEN..... Date, Frequencies

WHERE..... Road conditions

HOW..... Operating conditions, Symptoms

Preliminary Check

Make sure the following parts are in good order.

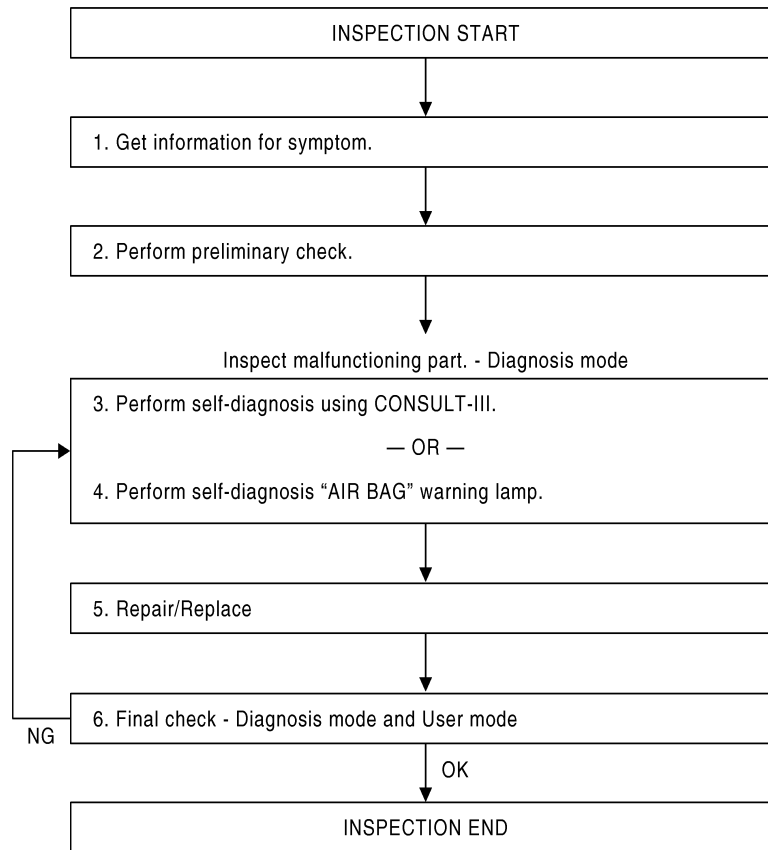
- Battery (Refer to [SC-4, "How to Handle Battery"](#).)
- Fuse (Refer to [SRS-16, "Wiring Diagram - SRS -"](#).)
- System component-to-harness connections

Work Flow

OVERALL SEQUENCE

# TROUBLE DIAGNOSIS

< SERVICE INFORMATION >



A

B

C

D

E

F

G

SRS

I

J

K

JMHIA0027GB

## DETAILED FLOW

### 1.GET INFORMATION FOR SYMPTOM

Get the detailed information from the customer about the symptom.

>> GO TO 2.

### 2.PERFORM PRELIMINARY CHECK

At the beginning of inspection, confirm the condition of power supply circuit, check that the battery is charged and fuses and fusible links are not blown.

Is power supply circuit normal?

YES >> GO TO 3.

NO >> Repair or replace the battery and fuse/fusible links.

### 3.PERFORM SELF-DIAGNOSIS USING "CONSULT-III" (WITH CONSULT-III)

Check the screen of CONSULT-III.

Is malfunctioning part displayed on CONSULT-III?

YES >> GO TO 5.

NO >> Repeat DTC confirmation with diagnostic procedure.

### 4.PERFORM SELF-DIAGNOSIS "AIR BAG" WARNING LAMP (WITHOUT CONSULT-III)

Check the warning lamp status.

L

M

N

O

P

# TROUBLE DIAGNOSIS

## < SERVICE INFORMATION >

### Is malfunctioning part detected?

- YES >> GO TO 5.  
NO >> Repeat DTC confirmation with diagnostic procedure.

## 5. REPAIR OR REPLACE

Repair or replace the malfunctioning part.

After the malfunctioning is repaired, erase the self-diagnostic result. Refer to [SRS-21, "CONSULT-III Function"](#).

>> GO TO 6.

## 6. FINAL CHECK DIAGNOSIS MODE AND USER MODE

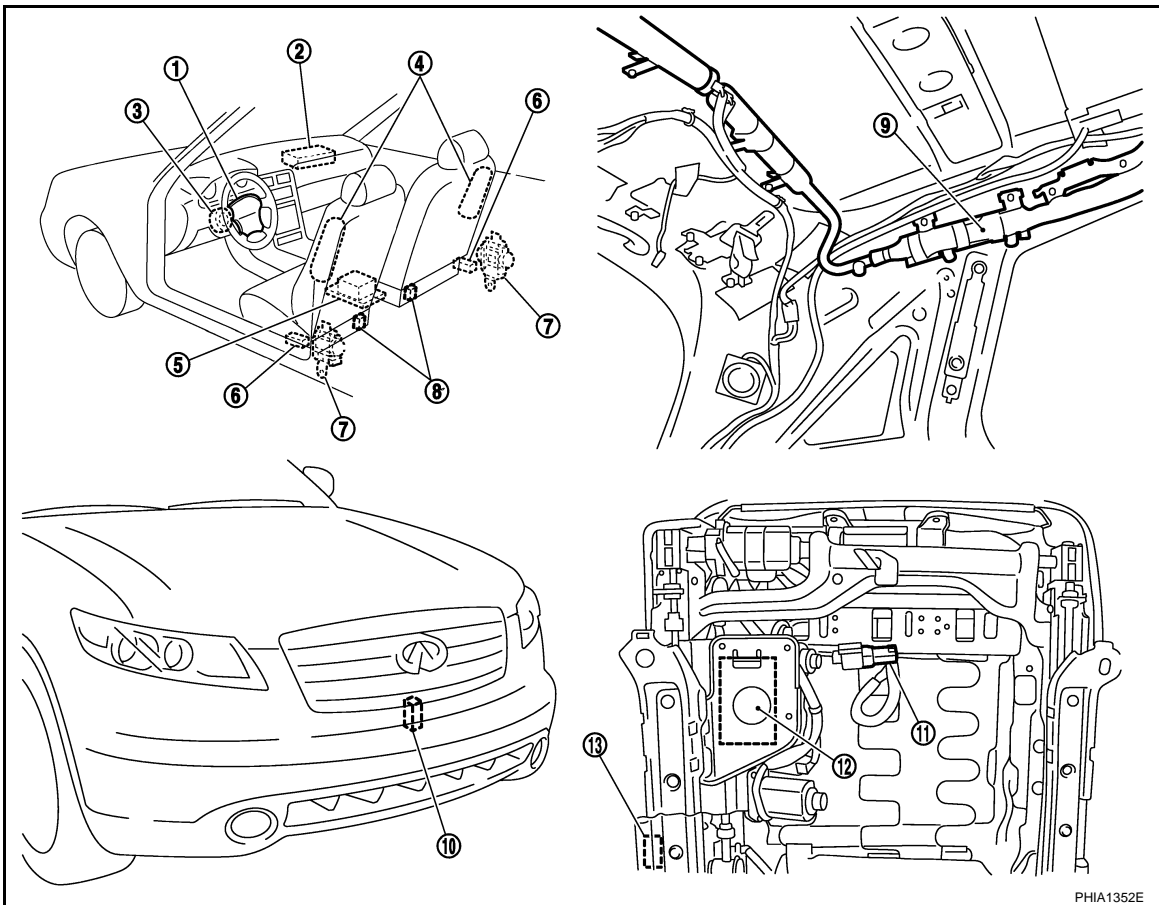
Check the screen of CONSULT-III and/or Air bag warning lamp status.

### Are the malfunctions corrected?

- YES >> **INSPECTION END.**  
NO >> GO TO 3 or GO TO 4.

## Component Parts Location

INFOID:000000001524162



- |  |   |   |
|--|---|---|
| 1. Driver air bag module                 | 2. Front passenger air bag module         | 3. Spiral cable                                 |
| 4. Front side air bag module (LH/RH)     | 5. Diagnosis sensor unit                  | 6. Side air bag (Satellite) sensor (LH/RH)      |
| 7. Seat belt pre-tensioner (LH/RH)       | 8. Seat belt buckle switch (LH/RH)        | 9. Side curtain air bag module                  |
| 10. Crash zone sensor                    | 11. Occupant classification system sensor | 12. Occupant classification system control unit |
| 13. Belt tension sensor (passenger side) |   |   |



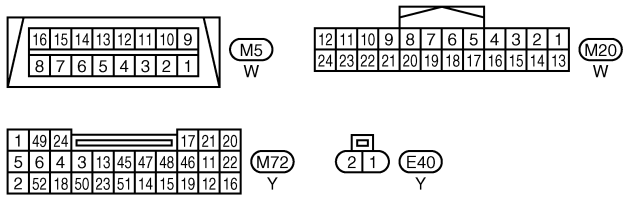
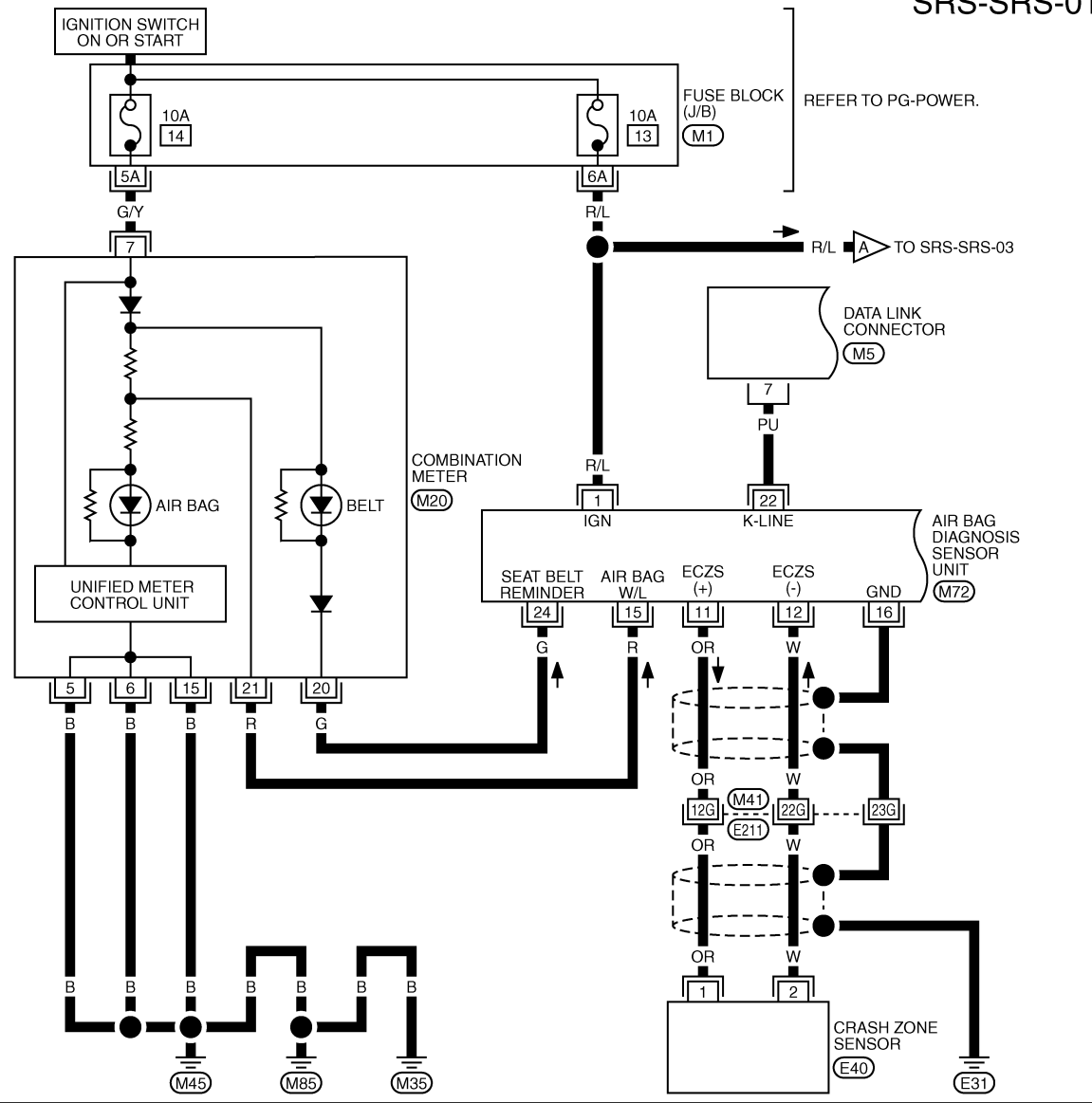
# TROUBLE DIAGNOSIS

< SERVICE INFORMATION >

## Wiring Diagram - SRS -

INFOID:000000001524164

### SRS-SRS-01



REFER TO THE FOLLOWING.  
 (E21) -SUPER MULTIPLE JUNCTION (SMJ)  
 (M1) -FUSE BLOCK-JUNCTION BOX (J/B)

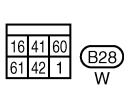
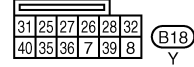
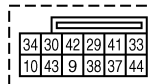
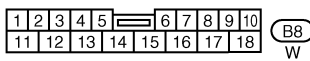
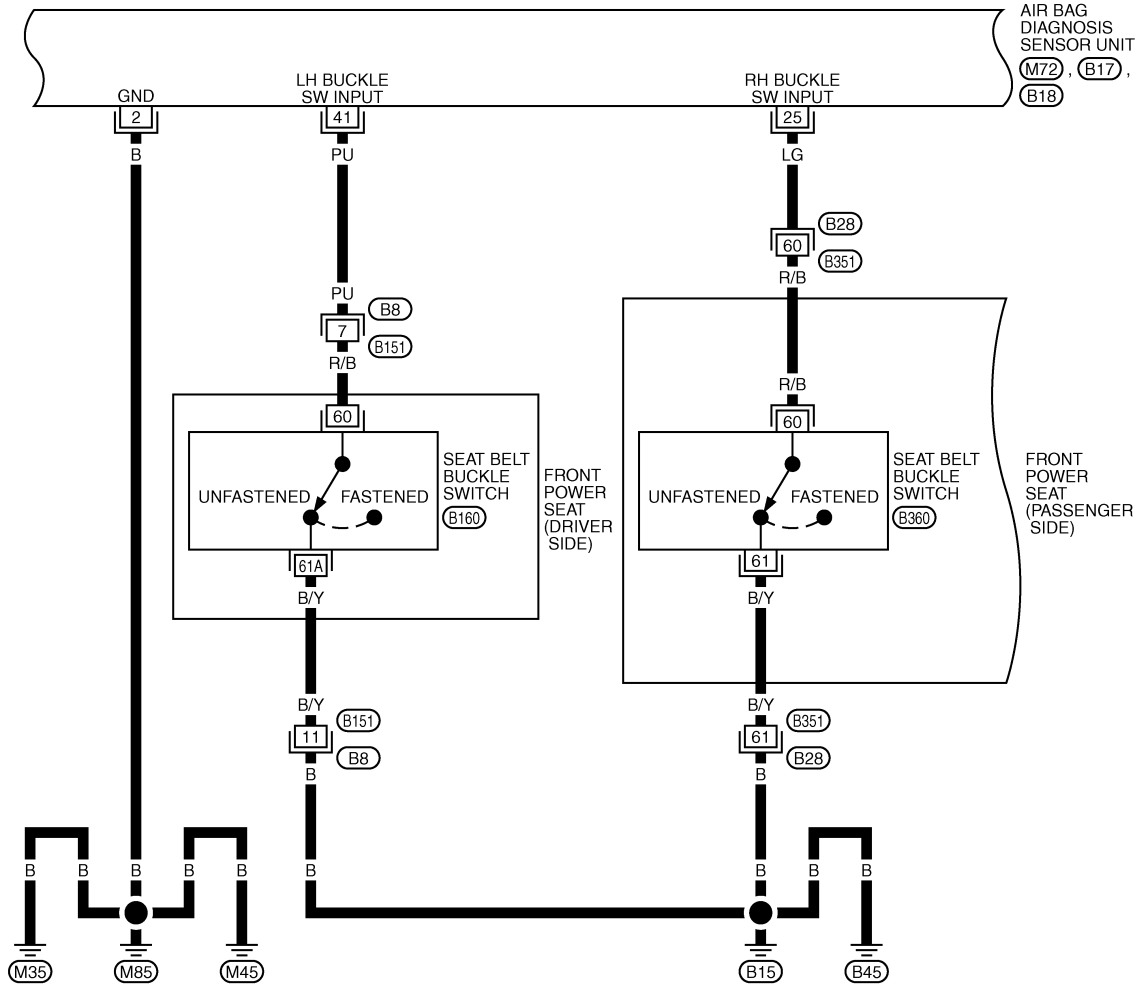
THWM0255E



# TROUBLE DIAGNOSIS

< SERVICE INFORMATION >

SRS-SRS-02



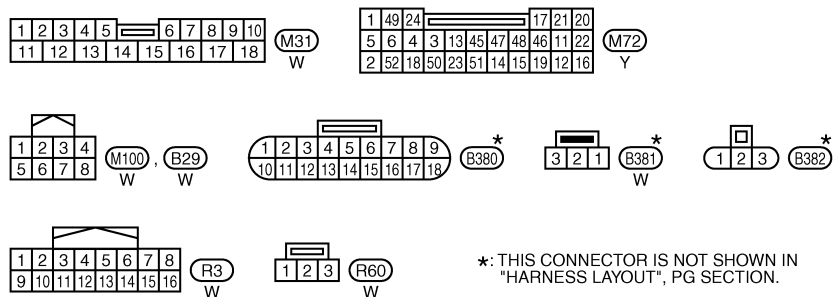
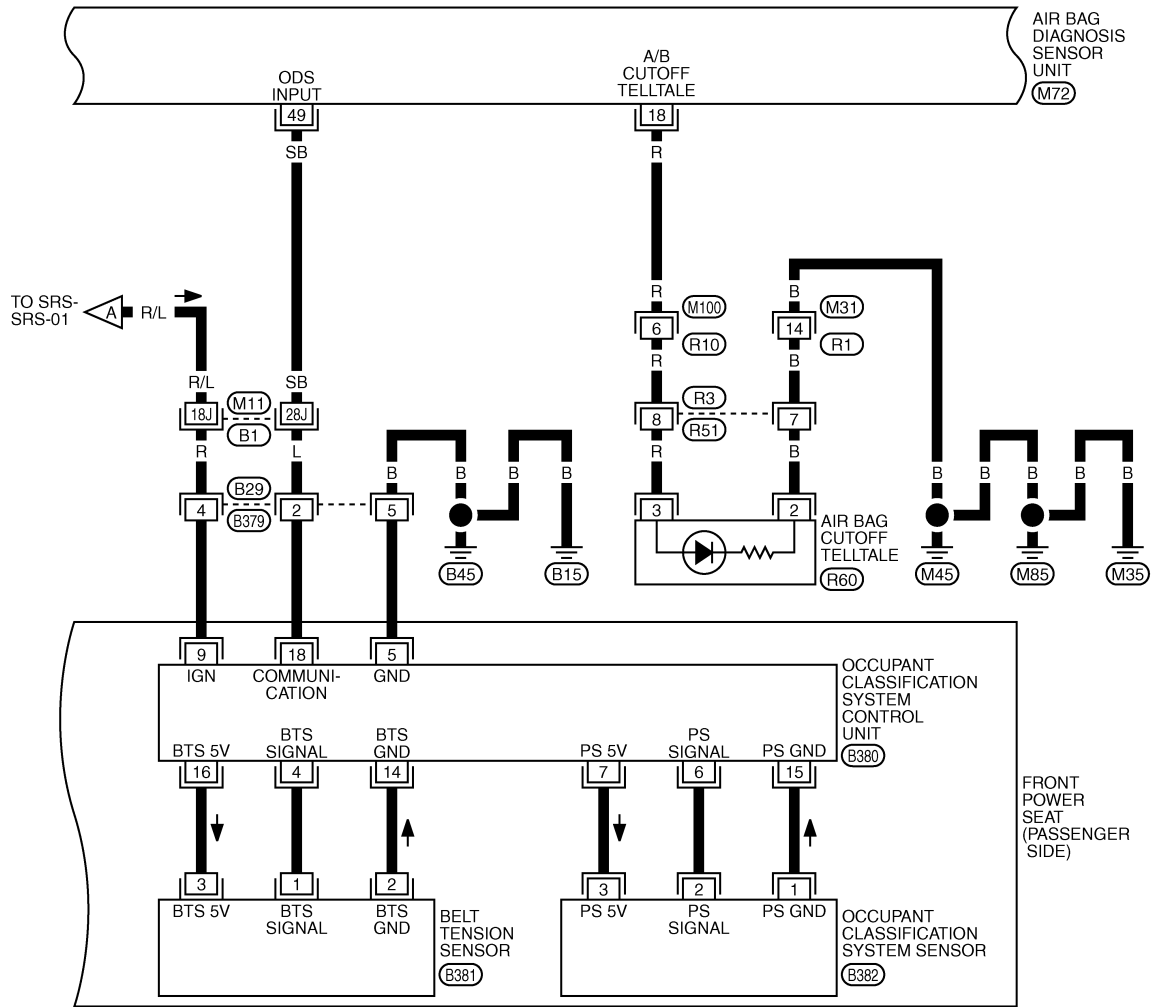
\*: THIS CONNECTOR IS NOT SHOWN IN "HARNESS LAYOUT", PG SECTION.

THWM0224E

# TROUBLE DIAGNOSIS

< SERVICE INFORMATION >

SRS-SRS-03



REFER TO THE FOLLOWING.  
 (B1) -SUPER MULTIPLE JUNCTION (SMJ)

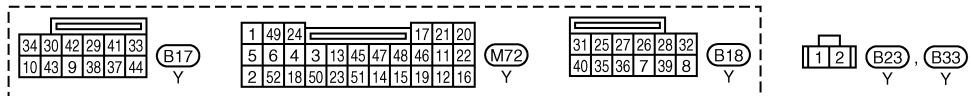
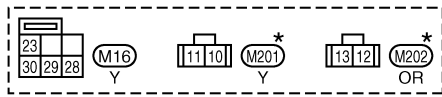
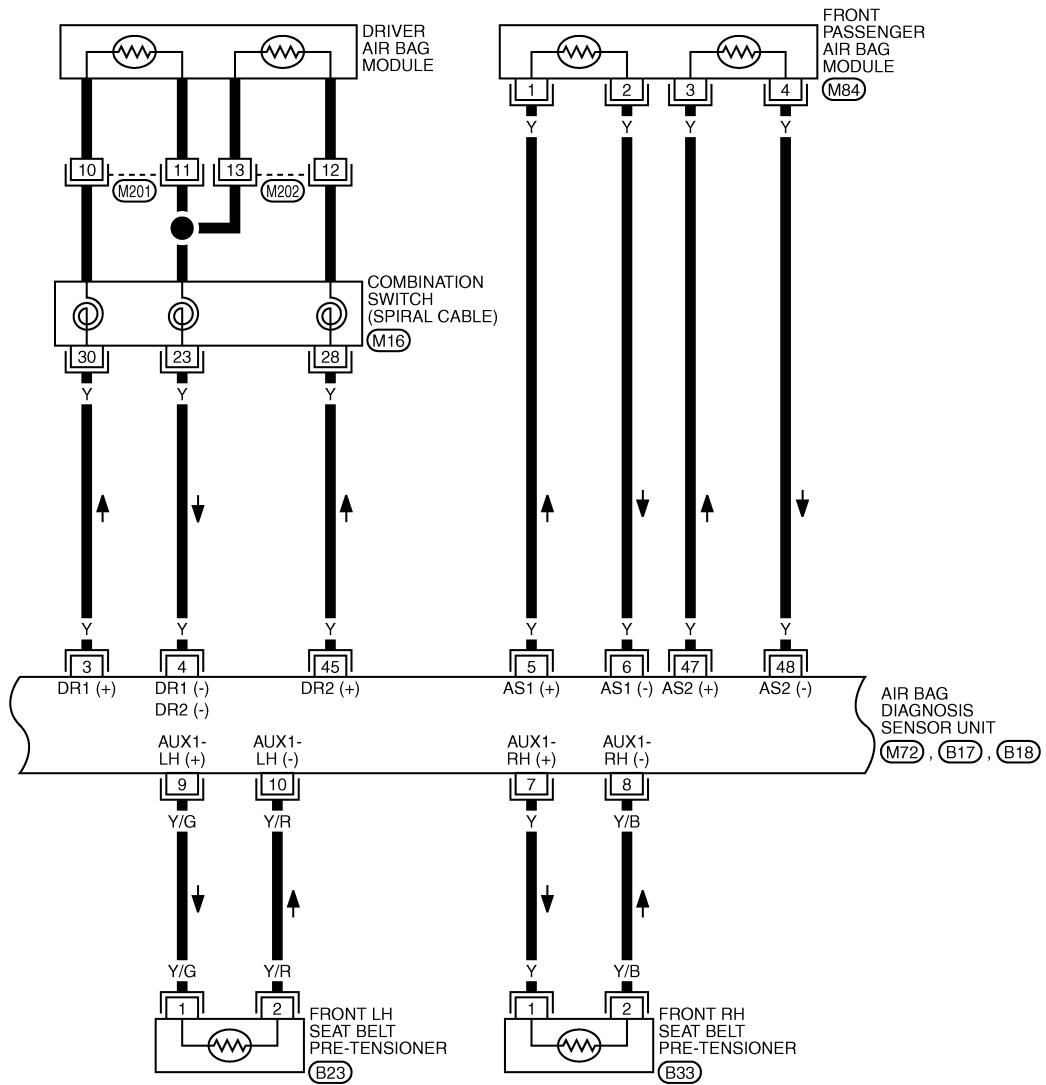
\*: THIS CONNECTOR IS NOT SHOWN IN "HARNESS LAYOUT", PG SECTION.

THWM0225E

# TROUBLE DIAGNOSIS

< SERVICE INFORMATION >

SRS-SRS-04



\*: THIS CONNECTOR IS NOT SHOWN IN "HARNESS LAYOUT", PG SECTION.

THWM0226E

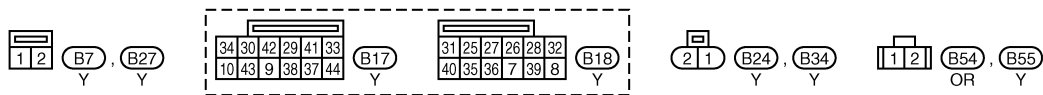
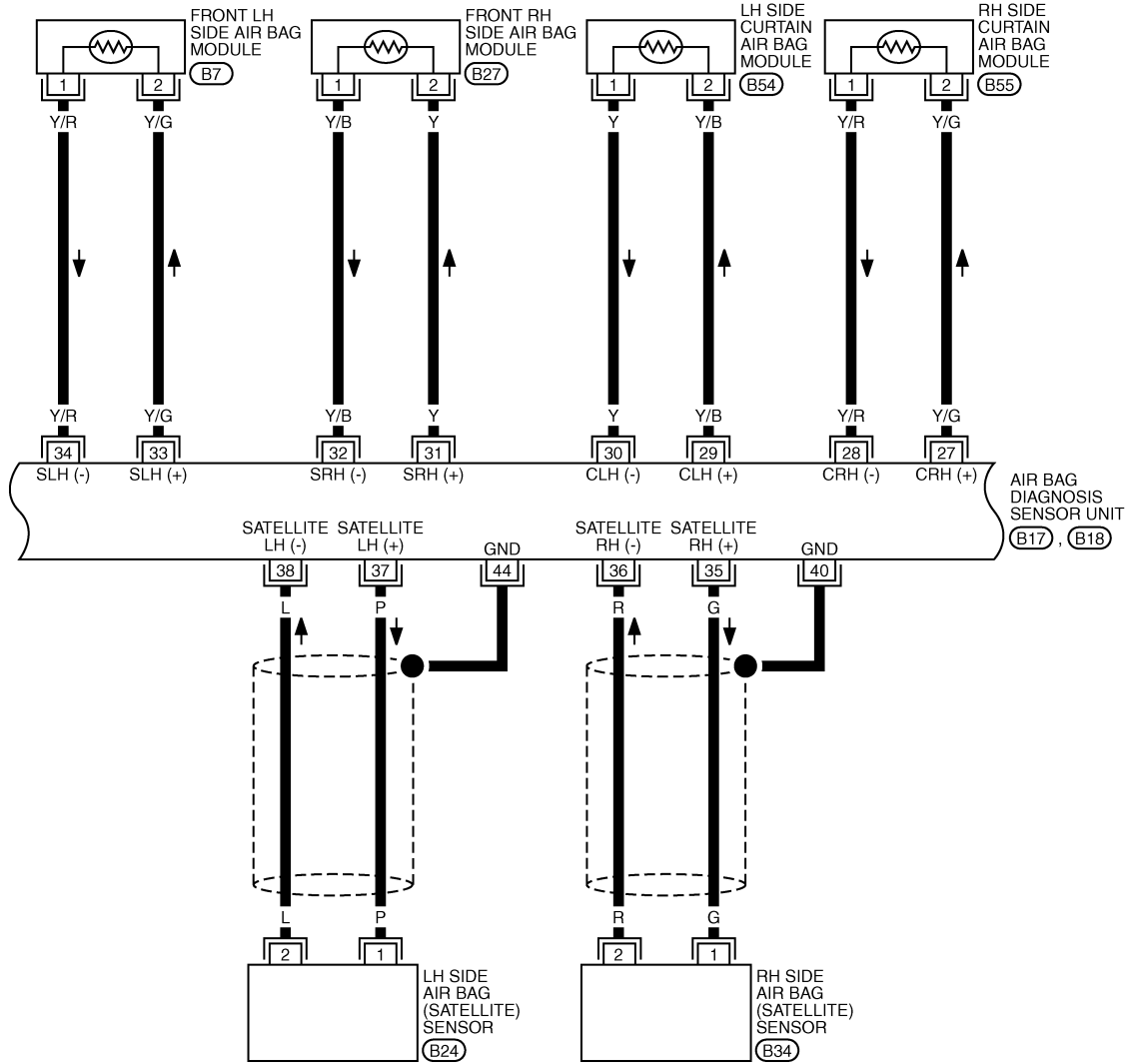
A  
B  
C  
D  
E  
F  
G  
H  
I  
J  
K  
L  
M  
N  
O  
P

SRS

# TROUBLE DIAGNOSIS

< SERVICE INFORMATION >

SRS-SRS-05



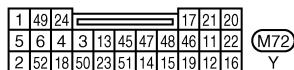
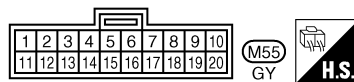
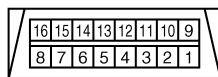
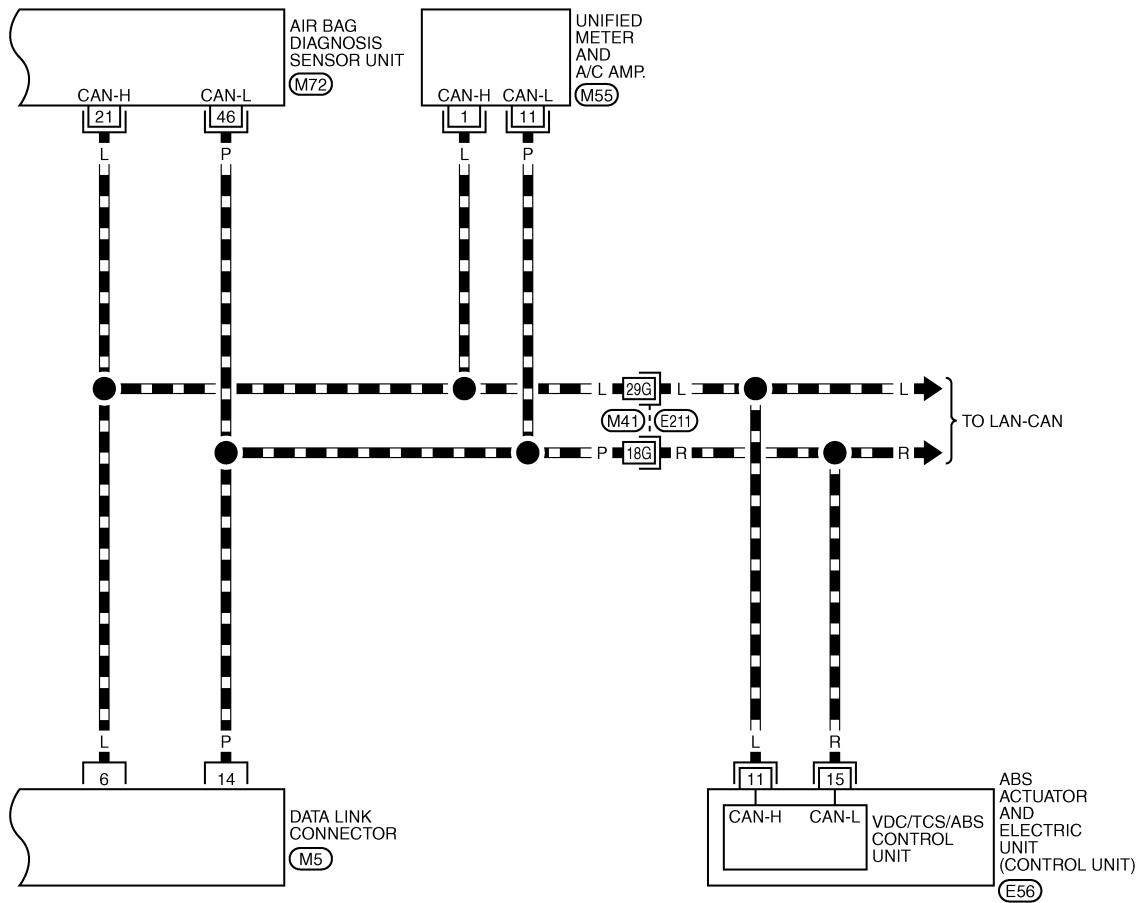
THWM0251E

# TROUBLE DIAGNOSIS

< SERVICE INFORMATION >

SRS-SRS-06

▬ : DATA LINE



REFER TO THE FOLLOWING.

- (E21) -SUPER MULTIPLE JUNCTION (SMJ)
- (E56) -ELECTRICAL UNITS

THWM0256E

INFOID:000000001524165

## CONSULT-III Function

### DIAGNOSIS MODE FOR CONSULT-III

- “SELF-DIAG [CURRENT]”  
A current self-diagnostic results (also indicated by the number of warning lamp flashes in the Diagnosis mode) is displayed on the CONSULT-III screen in real time. This refers to a malfunctioning part requiring repairs.
- “SELF-DIAG [PAST]”

# TROUBLE DIAGNOSIS

## < SERVICE INFORMATION >

Diagnosis results previously stored in the memory are displayed on the CONSULT-III screen. The stored results are not erased until memory erasing is executed.

- “TROUBLE DIAG RECORD”

With TROUBLE DIAG RECORD, diagnosis results previously erased by a reset operation can be displayed on the CONSULT-III screen.

- “ECU DISCRIMINATED NO.”

The diagnosis sensor unit for each vehicle model is assigned with its own, individual classification number. This number will be displayed on the CONSULT-III screen, as shown. When replacing the diagnosis sensor unit, refer to the part number for the compatibility. After installation, replacement with a correct unit can be checked by confirming this classification number on the CONSULT-III screen.

After repair, make sure the discriminated number of diagnosis sensor unit installed to vehicle are same. Refer to [SRS-44, "Removal and Installation"](#).

### Ⓟ HOW TO CHANGE SELF-DIAGNOSIS MODE WITH CONSULT-III

From User Mode to Diagnosis Mode

After selecting “AIR BAG” on the “SELECT SYSTEM” screen, User mode automatically changes to Diagnosis mode.

From Diagnosis Mode to User Mode

To return to User mode from Diagnosis mode, touch “BACK” key of CONSULT-III until “SELECT SYSTEM” appears, then diagnosis mode automatically changes to User mode.

### HOW TO ERASE SELF-DIAGNOSTIC RESULTS

- “SELF-DIAG [CURRENT]”

A current self-diagnostic result is displayed on the CONSULT-III screen in real time.

After the malfunction is repaired completely, no malfunction is detected on “SELF-DIAG [CURRENT]”.

- “SELF-DIAG [PAST]”

Return to the “SELF-DIAG [CURRENT]” CONSULT-III screen by touching “BACK” key of CONSULT-III and select “SELF-DIAG [CURRENT]” in SELECT DIAG MODE. Touch “ERASE” in “SELF-DIAG [CURRENT]” mode.

**NOTE:**

If the memory of the malfunction in “SELF-DIAG [PAST]” is not erased, the User mode shows the system malfunction by the operation of the warning lamp even if the malfunction is repaired completely.

- “TROUBLE DIAG RECORD”

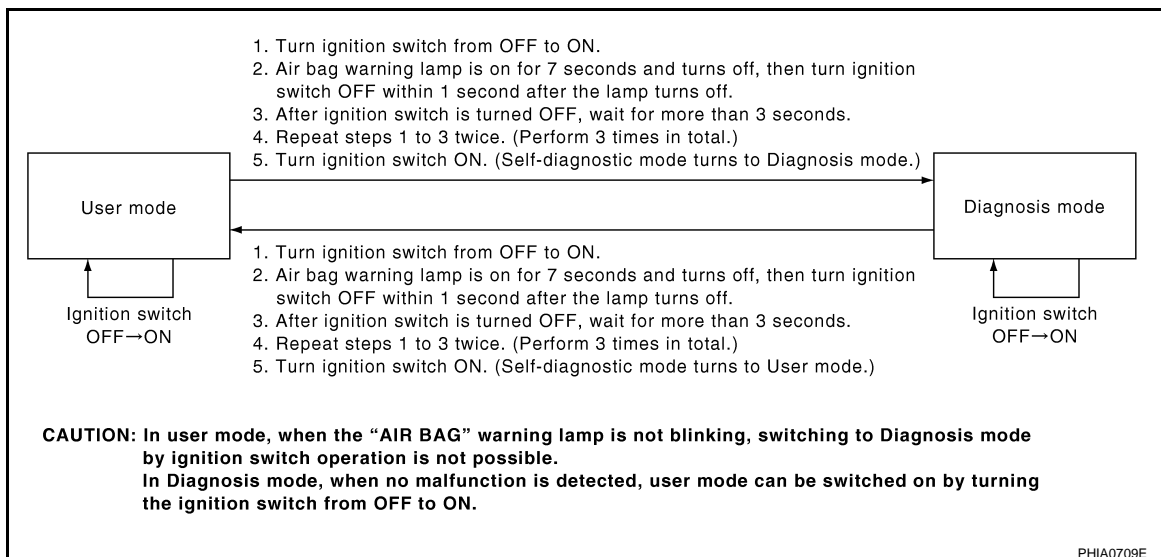
The memory of “TROUBLE DIAG RECORD” cannot be erased.

### Self-Diagnosis Function (Without CONSULT-III)

INFOID:000000001524166

- The reading of these results is accomplished “User mode” and “Diagnosis mode”.
- After a malfunction is repaired, turn ignition switch ON. Diagnosis mode returns to the User mode. At that time, the self-diagnostic result is cleared.

### HOW TO CHANGE SELF-DIAGNOSIS MODE WITHOUT CONSULT-III



# TROUBLE DIAGNOSIS

## < SERVICE INFORMATION >

### HOW TO ERASE SELF-DIAGNOSIS RESULTS

After a malfunction is repaired, turn ignition switch OFF for at least one second, then back ON. Diagnosis mode returns to the User mode. At that time, the self-diagnostic result is cleared.

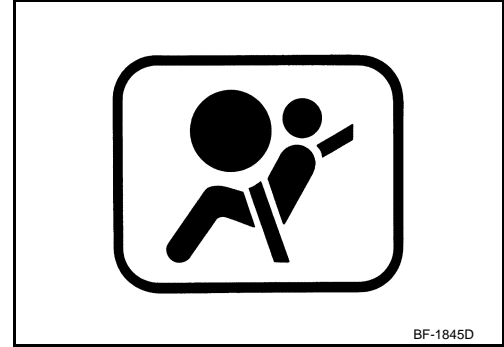
### SRS Operation Check

INFOID:000000001524167

### DIAGNOSTIC PROCEDURE

Checking Air Bag Operation by Using "AIR BAG" Warning Lamp — User Mode

1. Turn ignition switch from OFF to ON, and make sure that the air bag warning lamp blinks.
2. Compare the SRS air bag warning lamp blinking pattern with the examples.



#### Warning lamp examples

"AIR BAG" warning lamp operation — User mode	SRS condition	Reference item
<p>SHIA0011E</p>	<ul style="list-style-type: none"> <li>• No malfunction is detected.</li> <li>• No further action is necessary.</li> </ul>	—
<p>SHIA0012E</p>	<ul style="list-style-type: none"> <li>• The system is malfunctioning and needs to be repaired as indicated.</li> </ul>	<p>Go to <a href="#">SRS-24, "Trouble Diagnosis with CONSULT-III"</a> or <a href="#">SRS-28, "Trouble Diagnosis without CONSULT-III"</a>.</p>

SRS

# TROUBLE DIAGNOSIS

## < SERVICE INFORMATION >

"AIR BAG" warning lamp operation — User mode —	SRS condition	Reference item
<p>SHIA0013E</p>	<ul style="list-style-type: none"> <li>Air bag is deployed.</li> <li>Seat belt pre-tensioner is deployed.</li> </ul>	Go to <a href="#">SRS-47, "For Frontal Collision"</a> or <a href="#">SRS-48, "For Side Collision"</a>
<p>SHIA0014E</p>	<ul style="list-style-type: none"> <li>Diagnosis sensor unit is malfunctioning.</li> <li>Air bag power supply circuit is malfunctioning.</li> <li>SRS air bag warning lamp circuit is malfunctioning.</li> </ul>	Go to <a href="#">SRS-32, "Trouble Diagnosis: "AIR BAG" Warning Lamp Does Not Turn OFF"</a> .
<p>SHIA0014E</p>	<ul style="list-style-type: none"> <li>Diagnosis sensor unit is malfunctioning.</li> <li>Air bag warning lamp circuit is malfunctioning.</li> </ul>	Go to <a href="#">SRS-32, "Trouble Diagnosis: "AIR BAG" Warning Lamp Does Not Turn ON"</a> .

## Trouble Diagnosis with CONSULT-III

INFOID:000000001524168

## DIAGNOSTIC PROCEDURE

Diagnostic mode	Description
SELF-DIAG RESULT	The self-diagnosis result is Displayed. (SELF-DIAG [CURRENT], [PAST], [RECORD])
ECU DISCRIMINATED No.	The parts number of diagnosis sensor units displayed.

DTC No. Index ("SELF-DIAG [CURRENT]" "SELF-DIAG [PAST]" or TROUBLE DIAG RECORD)

Diagnostic item	Explanation	Repair order "Recheck SRS at each replacement"
NO DTC IS DETECTED.	When malfunction is indicated by the "AIR BAG" warning lamp in User mode. <ul style="list-style-type: none"> <li>Low battery voltage (Less than 9V)</li> <li>Self-diagnostic result "SELF-DIAG [PAST]" (previously stored in the memory) might not be erased after repair.</li> <li>Intermittent malfunction has been detected in the past.</li> </ul>	<ul style="list-style-type: none"> <li>Go to <a href="#">SRS-21, "CONSULT-III Function"</a>.</li> </ul>
	<ul style="list-style-type: none"> <li>No malfunction is detected.</li> </ul>	—
DIAGNOSIS SENSOR UNIT (CONTROL UNIT) [B1001-B1015]	<ul style="list-style-type: none"> <li>Diagnosis sensor is out of order.</li> </ul>	<ul style="list-style-type: none"> <li>Replace diagnosis sensor unit. (ACU)</li> </ul>



# TROUBLE DIAGNOSIS

## < SERVICE INFORMATION >

Diagnostic item	Explanation	Repair order "Recheck SRS at each replacement"	A
OCCUPANT SENS [UNIT FAIL] [1018]	<ul style="list-style-type: none"> <li>• Trouble occurs in Occupant Classification System-SENS.</li> </ul>	<ol style="list-style-type: none"> <li>1. Visually check the wiring harness connection.</li> <li>2. Replace the harness if it has visible damage.</li> <li>3. Replace front passenger seat cushion and occupant classification system control unit as an assembly.</li> <li>4. Replace diagnosis sensor unit (ACU).</li> </ol>	B
BELT TENSION SENS [UNIT FAIL] [B1019]	<ul style="list-style-type: none"> <li>• Trouble occurs in Belt Tension sensor (BTS), circuit of BTS—Occupant Classification System-CU, or Occupant Classification System-CU.</li> </ul>	<ol style="list-style-type: none"> <li>1. Visually check the wiring harness connection.</li> <li>2. Replace the harness if it has visible damage.</li> <li>3. Replace passenger side seat belt assembly.</li> <li>4. Replace diagnosis sensor unit (ACU).</li> </ol>	C
OCCUPANT SENS C/U [UNIT FAIL] [B1017] [B1020] [B1021]	<ul style="list-style-type: none"> <li>• Trouble occurs in Occupant Classification System-CU.</li> </ul>	<ol style="list-style-type: none"> <li>1. Visually check the wiring harness connection.</li> <li>2. Replace the harness if it has visible damage.</li> <li>3. Replace front passenger seat cushion and occupant classification system control unit as an assembly.</li> <li>4. Replace diagnosis sensor unit (ACU).</li> </ol>	D
OCCUPANT SENS C/U [COMM FAIL] [B1022]	<ul style="list-style-type: none"> <li>• Trouble occurs in Occupant Classification System-CU, circuit of OCS-CU-ACU, or ACU.</li> </ul>	<ol style="list-style-type: none"> <li>1. Visually check the wiring harness connection.</li> <li>2. Replace the harness if it has visible damage.</li> <li>3. Replace front passenger seat cushion and occupant classification system control unit as an assembly.</li> <li>4. Replace diagnosis sensor unit (ACU).</li> </ol>	E
PASS A/B INDCTR CKT [B1023]	<ul style="list-style-type: none"> <li>• Front passenger air bag cut-off indicator circuit is open, or shorted each other or to ground.</li> </ul>	<ol style="list-style-type: none"> <li>1. Visually check the wiring harness connection.</li> <li>2. Replace the harness if it has visible damage.</li> <li>3. Replace front passenger air bag off indicator unit.</li> <li>4. Replace diagnosis sensor unit (ACU).</li> </ol>	F
DIAGNOSIS SENSOR UNIT (CONTROL UNIT) [B1026-B1031]	<ul style="list-style-type: none"> <li>• Diagnosis sensor is out of order.</li> </ul>	<ul style="list-style-type: none"> <li>• Replace diagnosis sensor unit. (ACU)</li> </ul>	G
CRASH ZONE SEN [UNIT FAIL] [B1033] [B1034]	<ul style="list-style-type: none"> <li>• Crash zone sensor is out of order.</li> </ul>	<ol style="list-style-type: none"> <li>1. Visually check the wiring harness connection.</li> <li>2. Replace the harness if it has visible damage.</li> <li>3. Replace crash zone sensor.</li> <li>4. Replace diagnosis sensor unit (ACU).</li> </ol>	H
CRASH ZONE SEN [COMM FAIL] [B1035]			I
DIAGNOSIS SENSOR UNIT (CONTROL UNIT) [B1042-B1047]	<ul style="list-style-type: none"> <li>• Diagnosis sensor is out of order.</li> </ul>	<ul style="list-style-type: none"> <li>• Replace diagnosis sensor unit. (ACU)</li> </ul>	J

SRS

## TROUBLE DIAGNOSIS

### < SERVICE INFORMATION >

Diagnostic item	Explanation	Repair order "Recheck SRS at each replacement"
DRIVER AIR BAG MODULE [OPEN] [B1049] [B1054]	<ul style="list-style-type: none"> <li>Driver air bag module circuit is open (including the spiral cable).</li> </ul>	<ol style="list-style-type: none"> <li>1. Visually check the wiring harness connection.</li> <li>2. Replace the harness if it has visible damage.</li> <li>3. Replace driver air bag module.</li> <li>4. Replace spiral cable.</li> <li>5. Replace diagnosis sensor unit (ACU).</li> </ol>
DRIVER AIR BAG MODULE [VB-SHORT] [B1050] [B1055]	<ul style="list-style-type: none"> <li>Driver air bag module circuit is shorted to a power supply circuit (including the spiral cable).</li> </ul>	
DRIVER AIR BAG MODULE [GND-SHORT] [B1051] [B1056]	<ul style="list-style-type: none"> <li>Driver air bag module circuit is shorted to ground (including the spiral cable).</li> </ul>	
DRIVER AIR BAG MODULE [SHORT] [B1052] [B1057]	<ul style="list-style-type: none"> <li>Driver air bag module circuit is shorted between lines.</li> </ul>	
DIAGNOSIS SENSOR UNIT (CONTROL UNIT) [B1058-B1063]	<ul style="list-style-type: none"> <li>Diagnosis sensor is out of order.</li> </ul>	<ul style="list-style-type: none"> <li>• Replace diagnosis sensor unit. (ACU)</li> </ul>
ASSIST A/B MODULE [OPEN] [B1065] [B1070]	<ul style="list-style-type: none"> <li>Front passenger air bag module circuit is open.</li> </ul>	<ol style="list-style-type: none"> <li>1. Visually check the wiring harness connection.</li> <li>2. Replace the harness if it has visible damage.</li> <li>3. Replace front passenger air bag module.</li> <li>4. Replace diagnosis sensor unit (ACU).</li> </ol>
ASSIST A/B MODULE [VB-SHORT] [B1066] [B1071]	<ul style="list-style-type: none"> <li>Front passenger air bag module circuit is shorted to a power supply circuit.</li> </ul>	
ASSIST A/B MODULE [GND-SHORT] [B1067] [B1072]	<ul style="list-style-type: none"> <li>Front passenger air bag module circuit is shorted to ground.</li> </ul>	
ASSIST A/B MODULE [SHORT] [B1068] [B1073]	<ul style="list-style-type: none"> <li>Front passenger air bag module circuit is shorted between lines.</li> </ul>	
DIAGNOSIS SENSOR UNIT (CONTROL UNIT) [B1074-B1079]	<ul style="list-style-type: none"> <li>Diagnosis sensor is out of order.</li> </ul>	<ul style="list-style-type: none"> <li>• Replace diagnosis sensor unit. (ACU)</li> </ul>
PRE-TEN FRONT RH [OPEN] [B1081]	<ul style="list-style-type: none"> <li>Front RH pre-tensioner circuit is open.</li> </ul>	<ol style="list-style-type: none"> <li>1. Visually check the wiring harness connections.</li> <li>2. Replace the harness if it has visible damage.</li> <li>3. Replace front RH seat belt.</li> <li>4. Replace diagnosis sensor unit (ACU).</li> </ol>
PRE-TEN FRONT RH [VB-SHORT] [B1082]	<ul style="list-style-type: none"> <li>Front RH pre-tensioner circuit is shorted to a power supply circuit.</li> </ul>	
PRE-TEN FRONT RH [GND-SHORT] [B1083]	<ul style="list-style-type: none"> <li>Front RH pre-tensioner circuit is shorted to ground.</li> </ul>	
PRE-TEN FRONT RH [SHORT] [B1084]	<ul style="list-style-type: none"> <li>Front RH pre-tensioner circuit is shorted between lines.</li> </ul>	

# TROUBLE DIAGNOSIS

## < SERVICE INFORMATION >

Diagnostic item	Explanation	Repair order "Recheck SRS at each replacement"	A
PRE-TEN FRONT LH [OPEN] [B1086]	<ul style="list-style-type: none"> <li>Front LH pre-tensioner circuit is open.</li> </ul>	<ol style="list-style-type: none"> <li>Visually check the wiring harness connections.</li> <li>Replace the harness if it has visible damage.</li> <li>Replace the front LH seat belt.</li> <li>Replace the diagnosis sensor unit.</li> <li>Replace the related harness.</li> </ol>	B
PRE-TEN FRONT LH [VB-SHORT] [B1087]	<ul style="list-style-type: none"> <li>Front LH pre-tensioner circuit is shorted to a power supply circuit.</li> </ul>		C
PRE-TEN FRONT LH [GND-SHORT] [B1088]	<ul style="list-style-type: none"> <li>Front LH pre-tensioner circuit is shorted to ground.</li> </ul>		D
PRE-TEN FRONT LH [SHORT] [B1089]	<ul style="list-style-type: none"> <li>Front LH pre-tensioner circuit is shorted between lines.</li> </ul>		E
DIAGNOSIS SENSOR UNIT (CONTROL UNIT) [B1106-B1111]	<ul style="list-style-type: none"> <li>Diagnosis sensor is out of order.</li> </ul>	<ul style="list-style-type: none"> <li>Replace diagnosis sensor unit (ACU).</li> </ul>	F
SATELLITE SENS RH [UNIT FAIL] [B1113] [B1114]	<ul style="list-style-type: none"> <li>RH side air bag (Satellite) sensor</li> </ul>	<ol style="list-style-type: none"> <li>Visually check the wiring harness connection.</li> <li>Replace the harness if it has visible damage.</li> <li>Replace RH side air bag (Satellite) sensor.</li> <li>Replace diagnosis sensor unit (ACU).</li> </ol>	G
SATELLITE SENS RH [COMM FAIL] [B1115]			SRS
SATELLITE SENS LH [UNIT FAIL] [B1118] [B1119]	<ul style="list-style-type: none"> <li>LH side air bag (Satellite) sensor</li> </ul>	<ol style="list-style-type: none"> <li>Visually check the wiring harness connection.</li> <li>Replace the harness if it has visible damage.</li> <li>Replace LH side air bag (Satellite) sensor.</li> <li>Replace diagnosis sensor unit (ACU).</li> </ol>	I
SATELLITE SENS LH [COMM FAIL] [B1120]			J
DIAGNOSIS SENSOR UNIT (CONTROL UNIT) [B1122-B1127]	<ul style="list-style-type: none"> <li>Diagnosis sensor is out of order.</li> </ul>	<ul style="list-style-type: none"> <li>Replace diagnosis sensor unit (ACU).</li> </ul>	K
SIDE MODULE RH [OPEN] [B1129]	<ul style="list-style-type: none"> <li>Front RH side air bag module circuit is open.</li> </ul>	<ol style="list-style-type: none"> <li>Visually check the wiring harness connection.</li> <li>Replace the harness if it has visible damage.</li> <li>Replace front RH side air bag module.</li> <li>Replace diagnosis sensor unit (ACU).</li> </ol>	L
SIDE MODULE RH [VB-SHORT] [B1130]	<ul style="list-style-type: none"> <li>Front RH side air bag module circuit is shorted to a power supply circuit.</li> </ul>		M
SIDE MODULE RH [GND-SHORT] [B1131]	<ul style="list-style-type: none"> <li>Front RH side air bag module circuit is shorted to ground.</li> </ul>		N
SIDE MODULE RH [SHORT] [B1132]	<ul style="list-style-type: none"> <li>Front RH side air bag module circuit is shorted between lines.</li> </ul>		O
			P

# TROUBLE DIAGNOSIS

## < SERVICE INFORMATION >

Diagnostic item	Explanation	Repair order "Recheck SRS at each replacement"
SIDE MODULE LH [OPEN] [B1134]	<ul style="list-style-type: none"> <li>Front LH side air bag module circuit is open.</li> </ul>	<ol style="list-style-type: none"> <li>1. Visually check the wiring harness connection.</li> <li>2. Replace the harness if it has visible damage.</li> <li>3. Replace front LH side air bag module.</li> <li>4. Replace diagnosis sensor unit (ACU).</li> </ol>
SIDE MODULE LH [VB-SHORT] [B1135]	<ul style="list-style-type: none"> <li>Front LH side air bag module circuit is shorted to a power supply circuit.</li> </ul>	
SIDE MODULE LH [GND-SHORT] [B1136]	<ul style="list-style-type: none"> <li>Front LH side air bag module circuit is shorted to ground.</li> </ul>	
SIDE MODULE LH [SHORT] [B1137]	<ul style="list-style-type: none"> <li>Front LH side air bag module circuit is shorted between lines.</li> </ul>	
DIAGNOSIS SENSOR UNIT (CONTROL UNIT) [B1138-B1143]	<ul style="list-style-type: none"> <li>Diagnosis sensor is out of order.</li> </ul>	<ul style="list-style-type: none"> <li>Replace diagnosis sensor unit (ACU).</li> </ul>
CURTAIN MODULE RH [OPEN] [B1145]	<ul style="list-style-type: none"> <li>RH side curtain air bag module circuit is open.</li> </ul>	<ol style="list-style-type: none"> <li>1. Visually check the wiring harness connection.</li> <li>2. Replace the harness if it has visible damage.</li> <li>3. Replace RH side curtain air bag module.</li> <li>4. Replace diagnosis sensor unit (ACU).</li> </ol>
CURTAIN MODULE RH [VB-SHORT] [B1146]	<ul style="list-style-type: none"> <li>RH side curtain air bag module circuit is shorted to a power supply circuit.</li> </ul>	
CURTAIN MODULE RH [GND-SHORT] [B1147]	<ul style="list-style-type: none"> <li>RH side curtain air bag module circuit is shorted to ground.</li> </ul>	
CURTAIN MODULE RH [SHORT] [B1148]	<ul style="list-style-type: none"> <li>RH side curtain air bag module circuit is shorted between lines.</li> </ul>	
CURTAIN MODULE LH [OPEN] [B1150]	<ul style="list-style-type: none"> <li>LH side curtain air bag module circuit is open.</li> </ul>	<ol style="list-style-type: none"> <li>1. Visually check the wiring harness connection.</li> <li>2. Replace the harness if it has visible damage.</li> <li>3. Replace LH side curtain air bag module.</li> <li>4. Replace diagnosis sensor unit (ACU).</li> </ol>
CURTAIN MODULE LH [VB-SHORT] [B1151]	<ul style="list-style-type: none"> <li>LH side curtain air bag module circuit is shorted to a power supply circuit.</li> </ul>	
CURTAIN MODULE LH [GND-SHORT] [B1152]	<ul style="list-style-type: none"> <li>LH side curtain air bag module circuit is shorted to ground.</li> </ul>	
CURTAIN MODULE LH [SHORT] [B1153]	<ul style="list-style-type: none"> <li>LH side curtain air bag module circuit is shorted between lines.</li> </ul>	
DIAGNOSIS SENSOR UNIT (CONTROL UNIT) [B1202-B1207]	<ul style="list-style-type: none"> <li>Diagnosis sensor is out of order.</li> </ul>	<ul style="list-style-type: none"> <li>Replace diagnosis sensor unit.</li> </ul>
FRONTAL COLLISION-DETECTION [B1209]	<ul style="list-style-type: none"> <li>Seat belt pre-tensioner and front air bag are deployed.</li> </ul>	<ul style="list-style-type: none"> <li>Go to <a href="#">SRS-47, "For Frontal Collision"</a>.</li> </ul>
SIDE COLLISION DETECTION [B1210]	<ul style="list-style-type: none"> <li>Side and curtain air bag is deployed.</li> </ul>	<ul style="list-style-type: none"> <li>Go to <a href="#">SRS-48, "For Side Collision"</a>.</li> </ul>

**NOTE:**

Follow the procedures in numerical order when repairing malfunctioning parts. Confirm whether malfunction is eliminated using air bag warning lamp or CONSULT-III each time repair is finished. If malfunction is still observed, proceed to the next step. When malfunction is eliminated, further repair work is not required.

## Trouble Diagnosis without CONSULT-III

INFOID:000000001524169

## DIAGNOSTIC PROCEDURE

# TROUBLE DIAGNOSIS

## < SERVICE INFORMATION >

### Inspecting SRS Malfunctioning Parts by Using "AIR BAG" Warning Lamp — Diagnosis Mode

#### NOTE:

SRS will not enter Diagnosis mode if no malfunction is detected in User mode.

1. Turn ignition switch ON.
2. After "AIR BAG" warning lamp lights for 7 seconds, turn ignition switch OFF within 1 second.
3. Wait more than 3 seconds.
4. Repeat the steps 1 to 3 twice. (Perform three times in all.)
5. Turn ignition switch ON.

SRS is now in Diagnosis mode.

"AIR BAG" warning lamp operates in Diagnosis mode as follows:

#### WARNING LAMP FLASH CODE CHART

<Diagnosis results (previously stored in the memory) might not be erased after repair or intermittent malfunctions have been detected in the past.>	
Flash pattern	Repair order
<p>a through b are repeated.</p>	<ol style="list-style-type: none"> <li>1. Erase memory. (Once key switch is turned from OFF to ON, TROUBLE DIAG RECORD will be erased.)</li> </ol>
PHIA0532E	
<Diagnosis sensor unit>	
Flash pattern	Repair order
<p>a through d are repeated. d: Seven flashes indicate malfunctioning diagnosis sensor unit circuit.</p>	<ol style="list-style-type: none"> <li>1. Visually check the wiring harness connections.</li> <li>2. Replace the harness if it has visible damage.</li> <li>3. Replace the diagnosis sensor unit.</li> <li>4. Replace the related harness.</li> </ol>
SHIA0028E	
<Occupant classification system>	
Flash pattern	Repair order
<p>a through d are repeated. d: Five flashes indicate malfunctioning OCS control unit.</p>	<ol style="list-style-type: none"> <li>1. Visually check the wiring harness connection.</li> <li>2. Replace the harness if it has visible damage.</li> <li>3. Replace front passenger seat cushion and occupant classification system control unit as an assembly.</li> <li>4. Replace the diagnosis sensor unit.</li> </ol>
PHIA1242E	
<Front passenger air bag off indicator>	
Flash pattern	Repair order
<p>a through d are repeated. d: Eleven flashes indicate malfunctioning front passenger air bag off indicator.</p>	<ol style="list-style-type: none"> <li>1. Visually check the wiring harness connection.</li> <li>2. Replace the harness if it has visible damage.</li> <li>3. Replace front passenger air bag off indicator unit.</li> <li>4. Replace the diagnosis sensor unit.</li> <li>5. Replace the related harness.</li> </ol>
PHIA1243E	

A

B

C

D

E

F

G

SRS

I

J

K

L

M

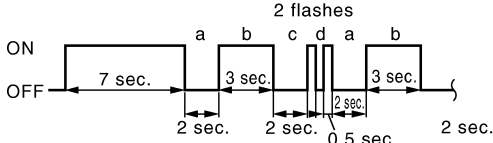
N

O

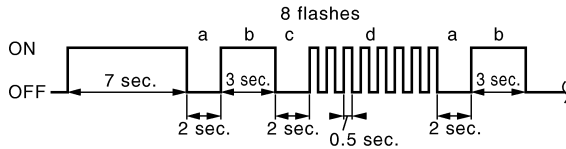
P

# TROUBLE DIAGNOSIS

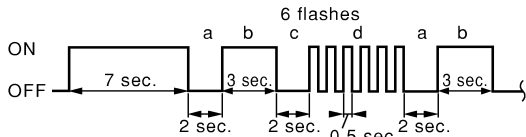
## < SERVICE INFORMATION >

<Driver air bag module>	
Flash pattern	Repair order
<p>a through d are repeated. d: Two flashes indicate malfunctioning driver air bag module circuit.</p> 	<ol style="list-style-type: none"> <li>1. Visually check the wiring harness connection.</li> <li>2. Replace the harness if it has visible damage.</li> <li>3. Replace the spiral cable.</li> <li>4. Replace the related harness.</li> </ol>

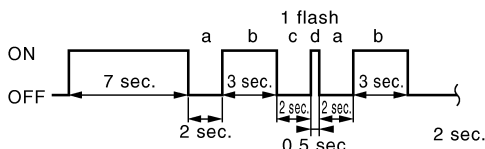
PHIA1233E

<Front passenger air bag module>	
Flash pattern	Repair order
<p>a through d are repeated. d: Eight flashes indicate malfunctioning front passenger air bag module circuit.</p> 	<ol style="list-style-type: none"> <li>1. Visually check the wiring harness connection.</li> <li>2. Replace the harness if it has visible damage.</li> <li>3. Replace the related harness.</li> </ol>

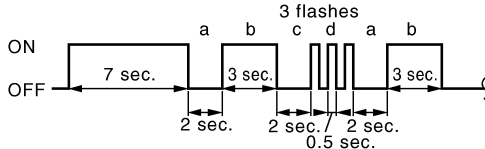
PHIA1234E

<Crash zone sensor>	
Flash pattern	Repair order
<p>a through d are repeated. d: Six flashes indicate malfunctioning crash zone sensor circuit.</p> 	<ol style="list-style-type: none"> <li>1. Visually check the wiring harness connection.</li> <li>2. Replace the harness if it has visible damage.</li> <li>3. Replace the crash zone sensor.</li> <li>4. Replace the diagnosis sensor unit.</li> <li>5. Replace the related harness.</li> </ol>

SHIA0083E

<Front RH seat belt pre-tensioner>	
Flash pattern	Repair order
<p>a through d are repeated. d: One flash indicates malfunctioning front RH seat belt pre-tensioner circuit.</p> 	<ol style="list-style-type: none"> <li>1. Visually check the wiring harness connections.</li> <li>2. Replace the harness if it has visible damage.</li> <li>3. Replace the related harness.</li> </ol>

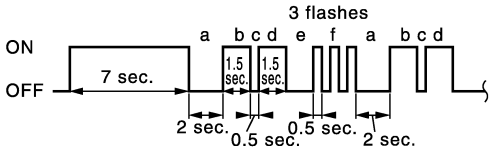
PHIA1235E

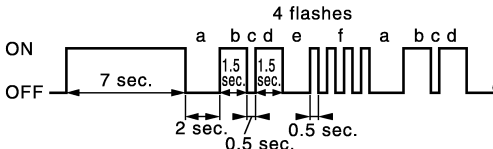
<Front LH seat belt pre-tensioner>	
Flash pattern	Repair order
<p>a through d are repeated. d: Three flashes indicate malfunctioning front LH seat belt pre-tensioner circuit.</p> 	<ol style="list-style-type: none"> <li>1. Visually check the wiring harness connections.</li> <li>2. Replace the harness if it has visible damage.</li> <li>3. Replace the related harness.</li> </ol>

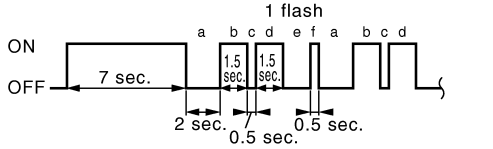
PHIA1236E

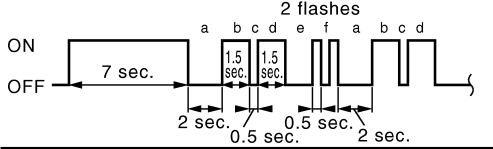
# TROUBLE DIAGNOSIS

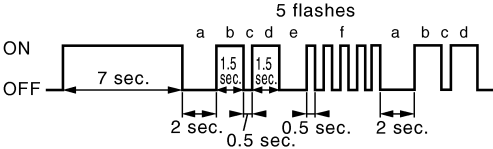
## < SERVICE INFORMATION >

<RH side air bag (Satellite) sensor>	
Flash pattern	Repair order
<p>a through f are repeated. f: Three flashes indicate malfunctioning RH side air bag (Satellite) sensor circuit.</p> 	<ol style="list-style-type: none"> <li>1. Visually check the wiring harness connection.</li> <li>2. Replace the harness if it has visible damage.</li> <li>3. Replace the RH side air bag (Satellite) sensor.</li> <li>4. Replace the diagnosis sensor unit.</li> <li>5. Replace the related harness.</li> </ol>
SHIA0032E	

<LH side air bag (Satellite) sensor>	
Flash pattern	Repair order
<p>a through f are repeated. f: Four flashes indicate malfunctioning LH side air bag (Satellite) sensor.</p> 	<ol style="list-style-type: none"> <li>1. Visually check the wiring harness connection.</li> <li>2. Replace the harness if it has visible damage.</li> <li>3. Replace the LH side air bag (Satellite) sensor.</li> <li>4. Replace the diagnosis sensor unit.</li> <li>5. Replace the related harness.</li> </ol>
SHIA0033E	

<Front RH side air bag module>	
Flash pattern	Repair order
<p>a through f are repeated. f: One flash indicates malfunctioning front RH side air bag module circuit.</p> 	<ol style="list-style-type: none"> <li>1. Visually check the wiring harness connection.</li> <li>2. Replace the harness if it has visible damage.</li> <li>3. Replace the related harness.</li> </ol>
PHIA1237E	

<Front LH side air bag module>	
Flash pattern	Repair order
<p>a through f are repeated. f: Two flashes indicate malfunctioning front LH side air bag module circuit.</p> 	<ol style="list-style-type: none"> <li>1. Visually check the wiring harness connection.</li> <li>2. Replace the harness if it has visible damage.</li> <li>3. Replace the related harness.</li> </ol>
PHIA1238E	

<RH side curtain air bag module>	
Flash pattern	Repair order
<p>a through f are repeated. f: Five flashes indicate malfunctioning RH side curtain air bag module circuit.</p> 	<ol style="list-style-type: none"> <li>1. Visually check the wiring harness connection.</li> <li>2. Replace the harness if it has visible damage.</li> <li>3. Replace the related harness.</li> </ol>
PHIA1240E	

A

B

C

D

E

F

G

SRS

I

J

K

L

M

N

O

P

# TROUBLE DIAGNOSIS

## < SERVICE INFORMATION >

<LH side curtain air bag module>	
Flash pattern	Repair order
<p>a through f are repeated. f: Six flashes indicate malfunctioning LH side curtain air bag module circuit.</p>	<ol style="list-style-type: none"> <li>1. Visually check the wiring harness connection.</li> <li>2. Replace the harness if it has visible damage.</li> <li>3. Replace the related harness.</li> </ol>

PHIA1241E

## Trouble Diagnosis: "AIR BAG" Warning Lamp Does Not Turn OFF

INFOID:000000001524170

### DIAGNOSTIC PROCEDURE

#### 1. CHECK DEPLOYMENT OF AIR BAG MODULE

Check the air bag module.

Is "AIR BAG MODULE" deployed?

- YES >> Refer to [SRS-47, "For Frontal Collision"](#) or [SRS-48, "For Side Collision"](#).  
NO >> GO TO 2.

#### 2. CHECK AIR BAG FUSE

Check the air bag fuse. Refer to [PG-16, "Fuse"](#).

Check 10A fuse [No.13, located in fuse block (J/B)] normal?

- YES >> GO TO 4.  
NO >> GO TO 3.

#### 3. CHECK AIR BAG FUSE AGAIN

Replace "AIR BAG" fuse and turn ignition switch ON.

Does the "AIR BAG" fuse blow again?

- YES >> Repair or replace main harness.  
NO >> **INSPECTION END**

#### 4. CHECK DIAGNOSIS SENSOR UNIT

Check the screen of CONSULT-III.

Is "DIAGNOSIS SENSOR UNIT" displayed on CONSULT-III?

- YES >> Replace diagnosis sensor unit.  
NO >> GO TO 5.

#### 5. CHECK HARNESS CONNECTION

Check the connection of harness connector.

Is harness connection between warning lamp and diagnosis sensor unit normal?

- OK >> Check the intermittent incident.  
NO >> Replace wiring harness connector.

## Trouble Diagnosis: "AIR BAG" Warning Lamp Does Not Turn ON

INFOID:000000001524171

### DIAGNOSTIC PROCEDURE

#### 1. CHECK METER FUSE

Check the meter fuse. Refer to [PG-16, "Fuse"](#).

Check 10A fuse [No.14, located in fuse block (J/B)] normal?

- YES >> GO TO 3.  
NO >> GO TO 2.

#### 2. CHECK METER FUSE AGAIN



# TROUBLE DIAGNOSIS

## < SERVICE INFORMATION >

Replace 10A fuse [No. 14, located in fuse block (J/B)] and turn ignition switch ON.

Does the meter fuse blow again?

- YES >> Repair or replace the related harness.  
NO >> **INSPECTION END**

## 3.CHECK HARNESS CONNECTION BETWEEN DIAGNOSIS SENSOR UNIT AND COMBINATION METER

Disconnect diagnosis sensor unit connector and turn ignition switch ON.

Does AIR BAG warning lamp turn ON?

- YES >> Replace diagnosis sensor unit.  
NO >> Replace combination meter assembly.

Passenger Seatbelt Warning System (Seatbelt reminder).

## 1.CHECK THE SYSTEM 1

Check seatbelt warning lamp function.

Seatbelt warning lamp turns ON in the following conditions.

- Driver seatbelt is fastened.
- Occupant is on passenger seat.
- Passenger seatbelt is not fasten.

### OK or NG

- OK >> GO TO 2.  
NG >> Check the followings.
- Harness between air bag diagnosis sensor unit and combination meter.
  - Seatbelt buckle switch (passenger side) circuit.
  - Seatbelt buckle switch (passenger side).
- If these are OK, replace air bag diagnosis sensor unit.

## 2.CHECK THE SYSTEM 2

Check seatbelt warning lamp function.

Seatbelt warning lamp turns OFF in the following conditions.

- Driver seatbelt is fastened.
- Occupant is on passenger seat.
- Passenger seatbelt is fastened.

### OK or NG

- OK >> System is OK.  
NG >> Check the followings.
- Seatbelt buckle switch (passenger side) circuit.
  - Seatbelt buckle switch (passenger side).
- If these are OK, replace air bag diagnosis sensor unit.

A

B

C

D

E

F

G

SRS

I

J

K

L

M

N

O

P

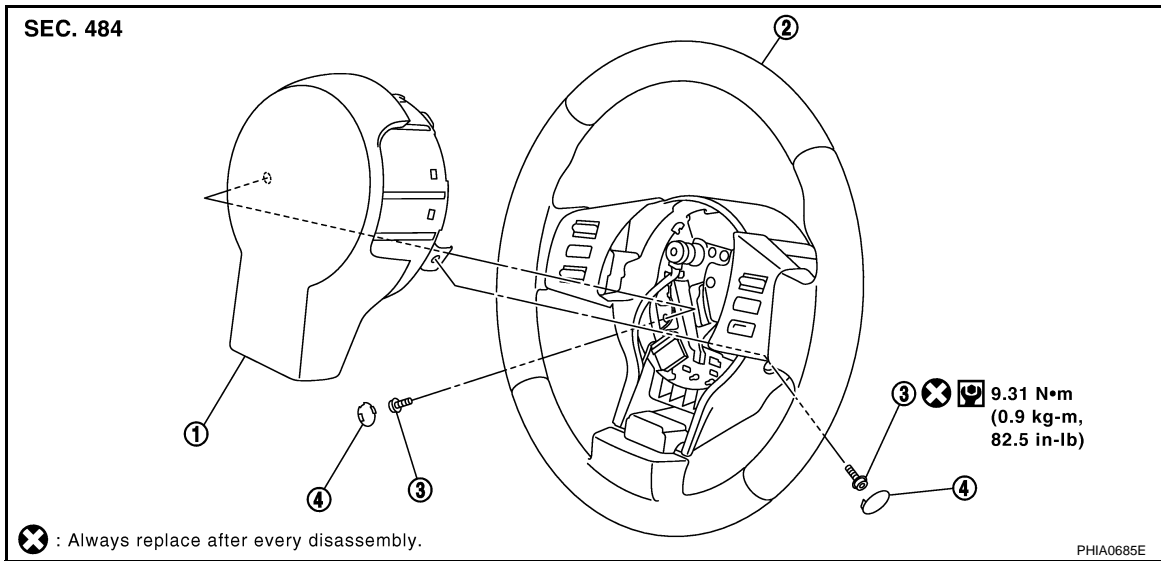
# DRIVER AIR BAG MODULE

< SERVICE INFORMATION >

## DRIVER AIR BAG MODULE

### Removal and Installation

INFOID:000000001327764



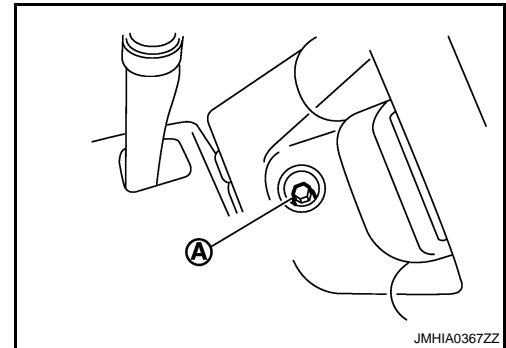
1. Driver air bag module
2. Steering wheel
3. TORX bolt (LH/RH)
4. Side lid (LH/RH)

### WARNING:

- Before servicing SRS, turn ignition switch OFF, disconnect both battery cables and wait at least 3 minutes.
- Always work from the side of driver air bag module.
- Do not use air tools or electric tools for servicing.

### REMOVAL

1. Remove the side lids.
2. Remove the right and left side TORX bolts (A).

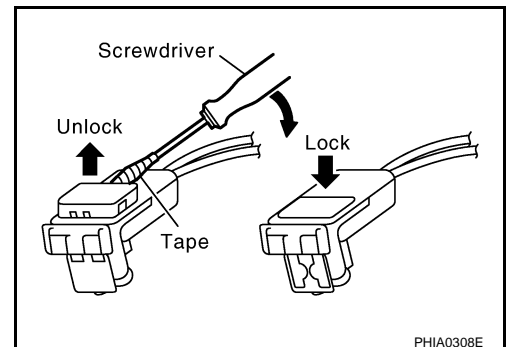


3. Lift up the driver air bag module.
4. Disconnect the air bag harness connector, and remove the driver air bag module.

### NOTE:

- For installing / removing driver air bag module connector, insert thin screwdriver wrapped in tape into notch, lift lock and remove connector.
- Install connector with lock raised, and push lock into connector.
- After installing the connector, make sure that the lock is pushed securely into it.

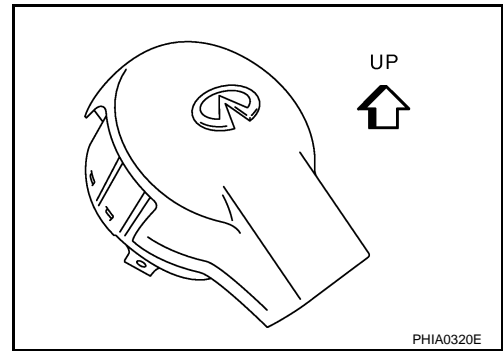
### CAUTION:



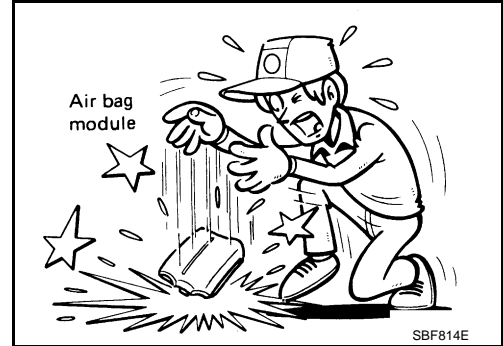
# DRIVER AIR BAG MODULE

## < SERVICE INFORMATION >

- Always place driver air bag module with pad side facing upward.
- Do not insert any foreign objects (screwdriver, etc.) into driver air bag module.
- Do not disassemble driver air bag module.
- Do not use old bolts after removal; replace with new bolts.



- Do not expose the driver air bag module to temperatures exceeding 90°C (194°F).
- Replace driver air bag module if it has been dropped or sustained an impact.
- Do not allow oil, grease or water to come in contact with the driver air bag module.

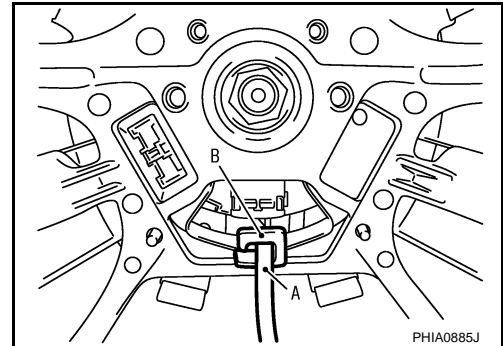


## INSTALLATION

Install in the reverse order of removal.

### CAUTION:

- Fix the air bag module harness (shown as A in the figure) to the harness fixing hook (shown as B in the figure).



- Be careful not to damage the harness while installing.
- Tighten the special bolts after exactly adjusting the centers of fixing holes on the air bag module side and the steering wheel side. If the holes are misaligned, the bolt threads are damaged and the module is not installed securely.
- After the work is completed, make sure no system malfunction is detected by air bag warning lamp.
- In case that malfunction is detected by the air bag warning lamp, reset by the self-diagnosis function and delete the memory by CONSULT-III.
- In case that malfunction is still detected after the above operation, perform self-diagnosis to repair malfunctions. Refer to [SRS-23, "SRS Operation Check"](#).

A  
B  
C  
D  
E  
F  
G  
SRS  
I  
J  
K  
L  
M  
N  
O  
P

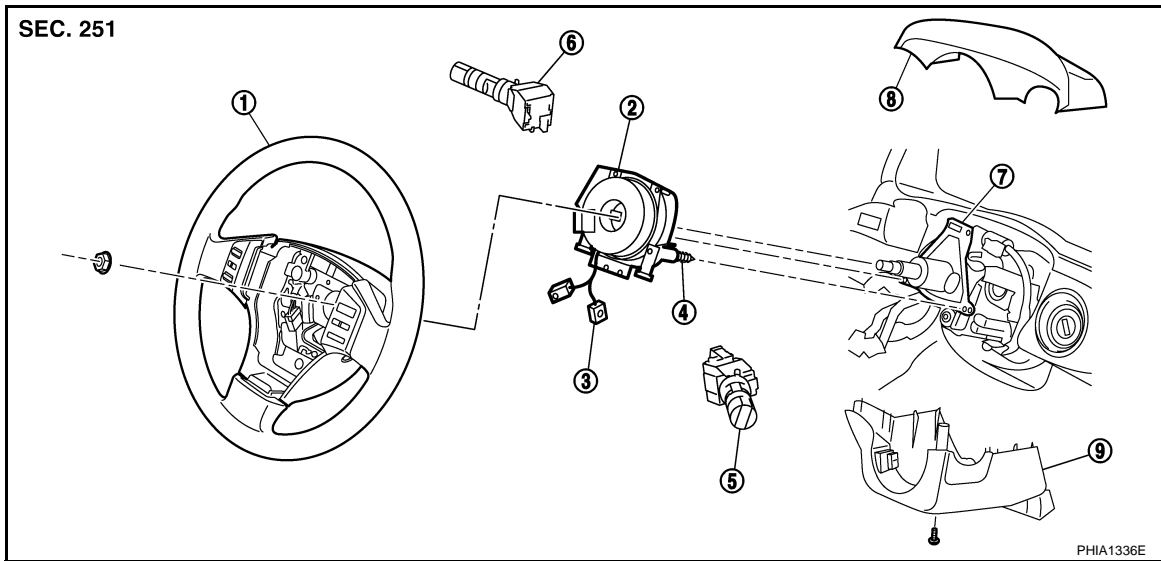
# SPIRAL CABLE

< SERVICE INFORMATION >

## SPIRAL CABLE

### Removal and Installation

INFOID:000000001327765



- |                             |                                  |                                    |
|-----------------------------|----------------------------------|------------------------------------|
| 1. Steering wheel           | 2. Spiral cable                  | 3. Driver air bag module connector |
| 4. Screw                    | 5. Wiper and washer switch       | 6. Lighting and turn signal switch |
| 7. Steering column assembly | 8. Steering column cover (upper) | 9. Steering column cover (lower)   |

#### **WARNING:**

- Before servicing SRS, turn ignition switch OFF, disconnect both battery cables and wait at least 3 minutes.
- Do not use air tools or electric tools for servicing.

#### REMOVAL

1. Remove driver air bag module. Refer to [SRS-34, "Removal and Installation"](#).
2. Disconnect steering switch harness connector.
3. Set the steering wheel in the neutral position.
4. Removal steering wheel. Refer to [PS-10, "Removal and Installation"](#).
5. Remove steering column covers. Refer to [IP-11, "Removal and Installation"](#).
6. Loosen the spiral cable fixing screws, and then remove the spiral cable.

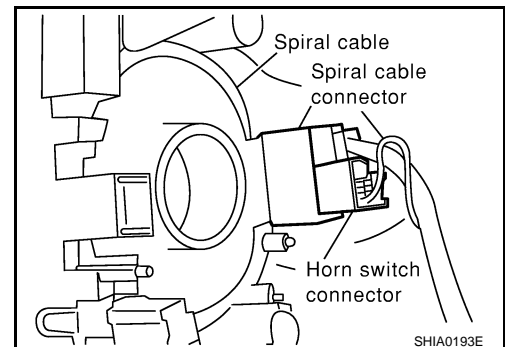
#### **CAUTION:**

- Do not disassemble spiral cable.
- Do not apply lubricant to the spiral cable.
- Do not make an impact to the spiral cable by dropping etc. Replace the spiral cable if it has been dropped or sustained an impact.

7. Disconnect the horn switch connector, and then the spiral cable connector.

#### **CAUTION:**

- Do not tap or bump the steering wheel.
- Also, with the steering linkage disconnected the cable may snap by turning the steering wheel beyond the limited number of turns.



8. Remove the wiper washer switch and lighting switch from the spiral cable.

#### INSTALLATION

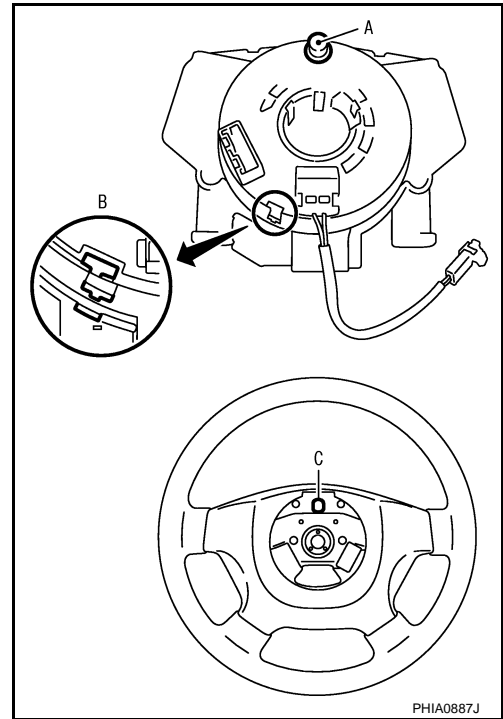
Install in the reverse order of removal.

## SPIRAL CABLE

### < SERVICE INFORMATION >

#### CAUTION:

- The spiral cable may snap by steering operation if the cable is installed in an improper position.
- The neutral position is set as follows.  
Turn quietly the spiral cable clockwise to the end position. Then turn it counterclockwise (about 2 and half turns) and stop turning at the point on which the stopper insertion holes are in the same position.  
The service part is installed in the neutral position by the stopper and can be set without adjusting after the stopper is removed.
- Do not turn the spiral cable rashly and also beyond the limit number of turns. (These will cause cable snap.)
- Adjust the spiral cable locating pin (showed as A in the figure) to the steering wheel locating pin hole (showed as C in the figure).
- Secure the air bag harness with the harness fixing hook.
- After the work is completed, make sure no system malfunction is detected by air bag warning lamp.
- In case that malfunction is detected by the air bag warning lamp, reset by the self-diagnosis function and delete the memory by CONSULT-III.
- In case that malfunction is still detected after the above operation, perform self-diagnosis to repair malfunctions. Refer to [SRS-23. "SRS Operation Check"](#).



A  
B  
C  
D  
E  
F  
G

SRS

I  
J  
K  
L  
M  
N  
O  
P

# FRONT PASSENGER AIR BAG MODULE

< SERVICE INFORMATION >

## FRONT PASSENGER AIR BAG MODULE

### Removal and Installation

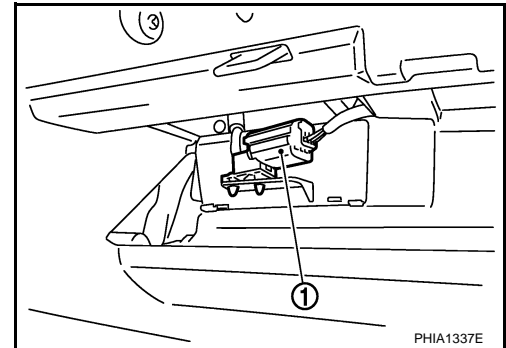
INFOID:000000001327766

#### WARNING:

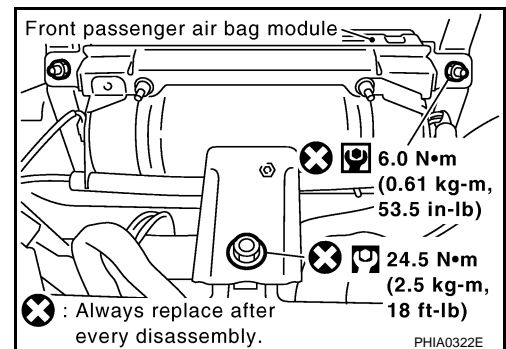
- Before servicing SRS, turn ignition switch OFF, disconnect both battery cables and wait at least 3 minutes.
- Always work from the side of or under front passenger air bag module.
- Do not use air tools or electric tools for servicing.

#### REMOVAL

1. Disconnect front passenger air bag module connector (1).

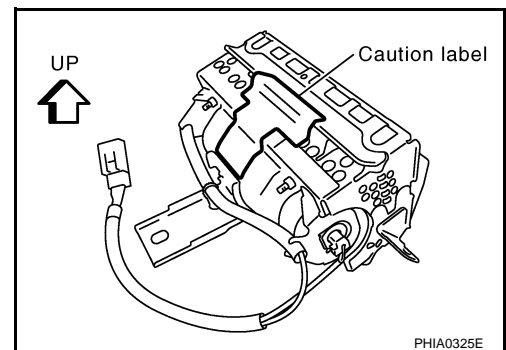


2. Remove glove box assembly and instrument passenger lower panel. Refer to [IP-11, "Removal and Installation"](#).
3. Remove display control unit, if navigation system is equipped.
4. Remove tire pressure warning control unit, if tire pressure warning control system is equipped.
5. Remove the front passenger air bag module fixing bolt and nuts, and then remove front passenger air bag module.



#### CAUTION:

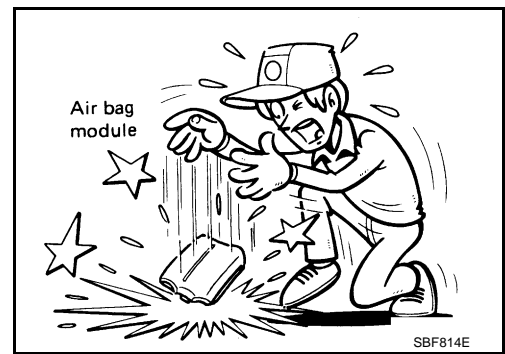
- Always place front passenger air bag module with caution label side facing upward.
- Do not insert any foreign objects (screwdriver, etc.) into front passenger air bag module.
- Do not disassemble front passenger air bag module.
- Do not use old bolt after removal; replace with new bolt.



# FRONT PASSENGER AIR BAG MODULE

## < SERVICE INFORMATION >

- Replace front passenger air bag module if it has been dropped or sustained an impact.
- Do not expose the front passenger air bag module to temperatures exceeding 90°C (194°F).
- Do not allow oil, grease or water to come in contact with the front passenger air bag module.
- After front passenger air bag module inflates, the instrument panel assembly should be replaced.



## INSTALLATION

Install in the reverse order of removal.

### **CAUTION:**

- Be careful not to damage the harness while installing.
- After the work is completed, make sure no system malfunction is detected by air bag warning lamp.
- In case that malfunction is detected by the air bag warning lamp, reset by the self-diagnosis function and delete the memory by CONSULT-III.
- In case that malfunction is still detected after the above operation, perform self-diagnosis to repair malfunctions. Refer to [SRS-23, "SRS Operation Check"](#).

A  
B  
C  
D  
E  
F  
G  
I  
J  
K  
L  
M  
N  
O  
P

SRS

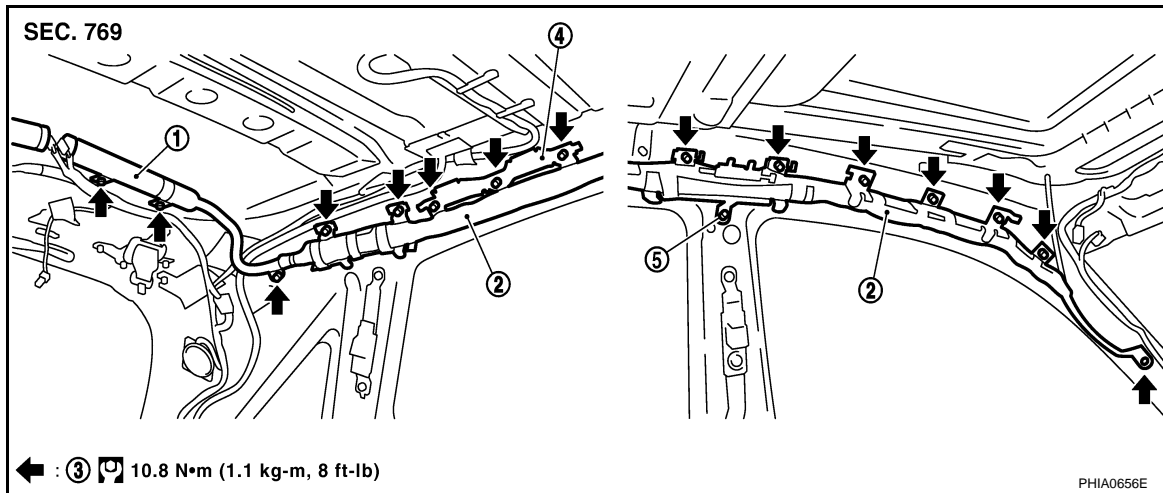
# SIDE CURTAIN AIR BAG MODULE

< SERVICE INFORMATION >

## SIDE CURTAIN AIR BAG MODULE

### Removal and Installation

INFOID:000000001327767



- |                                  |                                      |         |
|----------------------------------|--------------------------------------|---------|
| 1. Side curtain air bag Inflator | 2. Side curtain air bag              | 3. Bolt |
| 4. Assist grip bracket           | 5. Bolt (There is no torque control) |         |

#### WARNING:

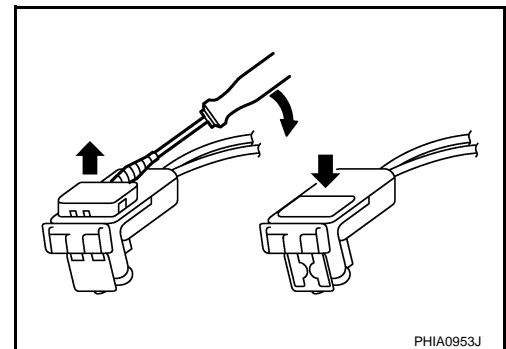
- Before servicing SRS, turn ignition switch OFF, disconnect both battery cables and wait at least 3 minutes.
- Always work from the side of the side curtain air bag module.
- Do not use air tools or electric tools for servicing.

#### REMOVAL

1. Remove headlining. Refer to [EI-43, "Component Parts Location"](#).
2. Disconnect side curtain air bag connector.

#### NOTE:

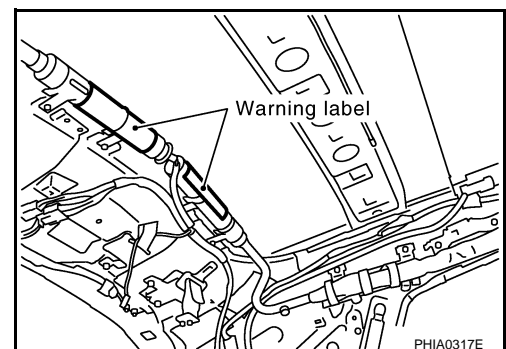
- For installing / removing side curtain air bag module connector, insert thin screwdriver wrapped in tape into notch, lift lock and remove connector.
- Install connector with lock raised, and push lock into connector.
- After installing the connector, make sure that the lock is pushed securely into it.



3. Remove side curtain air bag module fixing bolts, and then remove the side curtain air bag module.

#### CAUTION:

- Always place the side curtain air bag module with the warning label facing upward.
- Do not disassemble side curtain air bag module.
- Do not insert any foreign objects (screwdriver, etc.) into air bag module connector.

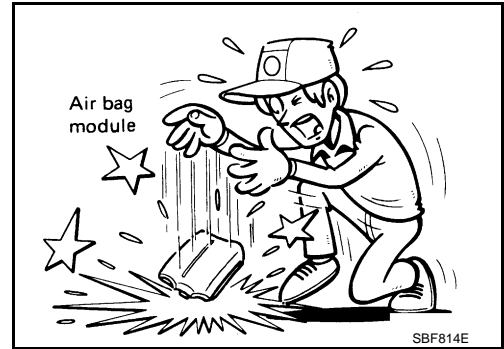




# SIDE CURTAIN AIR BAG MODULE

## < SERVICE INFORMATION >

- Replace side curtain air bag module if it has been dropped or sustained an impact.
- Do not expose the air bag module to temperatures exceeding 90°C (194°F).
- Do not allow oil, grease or water to come in contact with the side curtain air bag module.



## INSTALLATION

Install in the reverse order of removal.

### **CAUTION:**

- Be careful not to damage the air bag harness.
- After the work is completed, make sure no system malfunction is detected by air bag warning lamp.
- In case that malfunction is detected by the air bag warning lamp, reset by the self-diagnosis function and delete the memory by CONSULT-III.
- In case that malfunction is still detected after the above operation, perform self-diagnosis to repair malfunctions. Refer to [SRS-23, "SRS Operation Check"](#).

A  
B  
C  
D  
E  
F  
G  
I  
J  
K  
L  
M  
N  
O  
P

SRS

# CRASH ZONE SENSOR

< SERVICE INFORMATION >

## CRASH ZONE SENSOR

### Removal and Installation

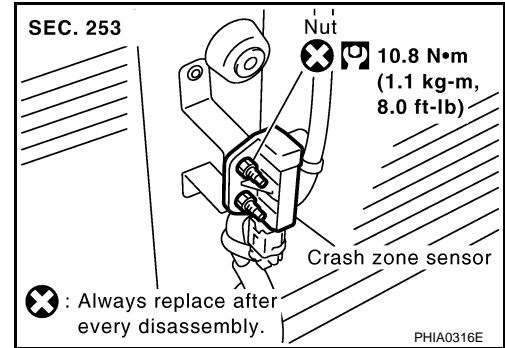
INFOID:000000001327768

#### **WARNING:**

- Before servicing SRS, turn ignition switch OFF, disconnect both battery cables and wait at least 3 minutes.
- Do not use air tools or electric tools for servicing.

#### REMOVAL

1. Remove front grille. Refer to [EI-22, "Component Parts Location"](#).
2. Remove crash zone sensor connector.
3. Remove crash zone sensor fixing nuts.



#### **CAUTION:**

- Replace crash zone sensor if it has been dropped or sustained an impact.
- Do not disassemble crash zone sensor.
- Do not use old fixing nuts after removal; replace with new nuts.
- Replace the crash zone sensor of deployed SRS driver air bag and deployed SRS front passenger air bag.

#### INSTALLATION

Install in the reverse order of removal.

#### **CAUTION:**

- Be careful not to damage the crash zone sensor harness.
- After the work is completed, make sure no system malfunction is detected by air bag warning lamp.
- In case that malfunction is detected by the air bag warning lamp, reset by the self-diagnosis function and delete the memory by CONSULT-III.
- In case that malfunction is still detected after the above operation, perform self-diagnosis to repair malfunctions. Refer to [SRS-23, "SRS Operation Check"](#).

# SIDE AIR BAG (SATELLITE) SENSOR

< SERVICE INFORMATION >

## SIDE AIR BAG (SATELLITE) SENSOR

### Removal and Installation

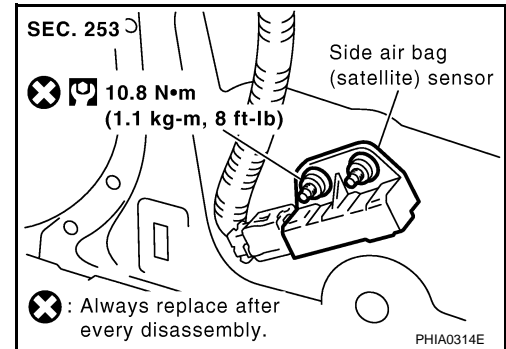
INFOID:000000001327769

#### WARNING:

- Before servicing SRS, turn ignition switch OFF, disconnect both battery cables and wait at least 3 minutes.
- Do not use air tools or electric tools for servicing.

#### REMOVAL

1. Remove seat belt pre-tensioner. Refer to [SB-3. "Removal and Installation of Front Seat Belt"](#).
2. Remove side air bag (Satellite) sensor fixing nuts.
3. Remove the side air bag (Satellite) sensor connector.



#### CAUTION:

- Do not use old nuts; replace with new ones.
- Check side air bag (Satellite) sensor to ensure it is free of deformities, dents, cracks or rust. If it shows any visible signs of damage, replace it with new one.
- Do not disassemble side air bag (Satellite) sensor.
- Replace side air bag (Satellite) sensor if it has been dropped or sustained an impact.
- Replace the satellite sensor of deployed SRS front side air bag and deployed SRS side curtain air bag.

#### INSTALLATION

Install in the reverse order of removal.

#### CAUTION:

- Be careful not to damage the satellite sensor harness.
- After the work is completed, make sure no system malfunction is detected by air bag warning lamp.
- In case that malfunction is detected by the air bag warning lamp, reset by the self-diagnosis function and delete the memory by CONSULT-III.
- In case that malfunction is still detected after the above operation, perform self-diagnosis to repair malfunctions. Refer to [SRS-23. "SRS Operation Check"](#).

A  
B  
C  
D  
E  
F  
G  
I  
J  
K  
L  
M  
N  
O  
P

SRS

# DIAGNOSIS SENSOR UNIT

< SERVICE INFORMATION >

## DIAGNOSIS SENSOR UNIT

### Removal and Installation

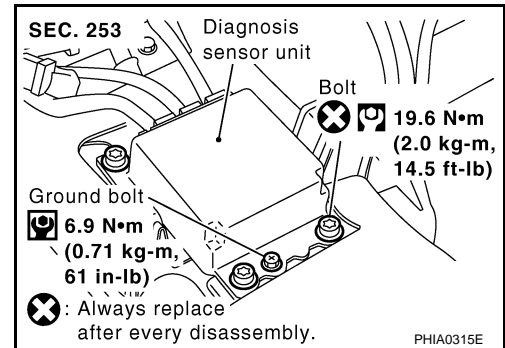
INFOID:000000001327771

#### WARNING:

- Before servicing SRS, turn ignition switch OFF, disconnect both battery cables and wait at least 3 minutes.
- Do not use air tools or electric tools for servicing.

#### REMOVAL

1. Disconnect each harness connector for the air bag module and seat belt pre-tensioner.
2. Remove center console. Refer to [IP-11, "Removal and Installation"](#).
3. Disconnect diagnosis sensor unit connector.
4. Remove TORX bolts from the diagnosis sensor unit.



#### CAUTION:

- Do not use old TORX bolts. Replace with new ones.
- Check diagnosis sensor unit bracket to ensure it is free of deformities, dents, cracks or rust. If it shows any visible things of damage, replace with new one.
- Replace diagnosis sensor unit if it has been dropped or sustained an impact.
- Replace the diagnosis sensor unit of deployed SRS air bag and deployed SRS front seat belt pre-tensioner.

#### INSTALLATION

Install in the reverse order of removal.

#### CAUTION:

- Be careful not to damage the diagnosis sensor harness.
- After the work is completed, make sure no system malfunction is detected by air bag warning lamp.
- In case that malfunction is detected by the air bag warning lamp, reset by the self-diagnosis function and delete the memory by CONSULT-III.
- In case that malfunction is still detected after the above operation, perform self-diagnosis to repair malfunctions. Refer to [SRS-23, "SRS Operation Check"](#).

#### ECU DISCRIMINATED NO.

After replacing the diagnosis sensor unit, confirm that the diagnosis sensor unit identification is correct for the vehicle as equipped.

Specification	ECU DISCRIMINATED No.
Models with driver and passenger air bags, seat belt pre-tensioner, side air bags and curtain air bags	FB04

# FRONT SEAT BELT PRE-TENSIONER

< SERVICE INFORMATION >

## FRONT SEAT BELT PRE-TENSIONER

---

### Removal and Installation

INFOID:000000001327770

For removal and installation procedures, refer to [SB-3. "Removal and Installation of Front Seat Belt"](#).

- A
- B
- C
- D
- E
- F
- G
- SRS**
- I
- J
- K
- L
- M
- N
- O
- P

# OCCUPANT CLASSIFICATION SYSTEM CONTROL UNIT

< SERVICE INFORMATION >

---

## OCCUPANT CLASSIFICATION SYSTEM CONTROL UNIT

### Removal and Installation

INFOID:000000001327772

The occupant classification system control unit, seat pressure sensor, and bladder are an integral part of the front passenger seat cushion and are replaced as an assembly. Refer to [SE-89, "Removal and Installation"](#).

# COLLISION DIAGNOSIS

< SERVICE INFORMATION >

## COLLISION DIAGNOSIS

### For Frontal Collision

INFOID:000000001327773

To repair the SRS, perform the following steps.

**When SRS (except the front side air bag and sidecurtain air bag modules) is activated in a collision:**

1. Replace the diagnosis sensor unit.
2. Remove the air bag modules (except the front side air bag modules and side curtain air bag modules), crash zone sensor assembly, bracket and seat belt pre-tensioner assemblies.
3. Check the SRS components using the table below:
  - Replace any SRS components showing visible signs of damage (dents, cracks and deformation).
4. Install new air bag modules (except the front side air bag modules and side curtain air bag modules) crash zone sensor assembly, bracket and seat belt pre-tensioner assemblies.
5. Conduct self-diagnosis using CONSULT-III or "AIR BAG" warning lamp. Refer to [SRS-23. "SRS Operation Check"](#) for details. Ensure entire SRS operates properly.

**When SRS is not activated in a collision:**

1. Check the SRS components using the table below:
  - Replace any SRS components showing visible signs of damage (dents, cracks and deformation).
2. Conduct self-diagnosis using CONSULT-III or "AIR BAG" warning lamp. Refer to [SRS-23. "SRS Operation Check"](#) for details. Ensure entire SRS operates properly.

**When only one front air bag module is activated in a collision:**

1. Replace the following components:
  - Diagnosis sensor unit
  - Crash zone sensor
  - Activated front air bag and seat belt pre-tensioner.
2. Check the other SRS components using the table below. (Refer to "SRS is NOT activated".)
  - Replace any SRS components showing visible signs of damage (dents, cracks and deformation).
3. Conduct self-diagnosis using CONSULT-III or "AIR BAG" warning lamp. Refer to [SRS-23. "SRS Operation Check"](#) for details. Ensure entire SRS operates properly.

Only one front air bag may inflate a crash, depending on the crash severity and whether the front occupants are belted or unbelted. This does not indicate improper performance of the system. Perform self-diagnosis to make sure the entire SRS operates properly.

### SRS INSPECTION (FOR FRONTAL COLLISION)

Part	SRS is activated	SRS is NOT activated
Driver airbag module	If the Driver airbag has deployed: REPLACE. Install with new fasteners.	If the Driver air bag has NOT been activated: [same text as in current manual]
Passenger front airbag module	If the Passenger front airbag has deployed: REPLACE. Install with new fasteners.	If the Passenger front air bag has NOT been activated: [same text as in current manual]
Crash zone sensor	If any of the front airbags or seat belt pre-tensioners have been activated: REPLACE the crash zone sensor and bracket with new fasteners.	If the front airbags or seat belt pre-tensioners have NOT been activated: [same text as in current manual]
Seat belt pre-tensioner assemblies	If the driver or passenger Seat belt pre-tensioner has been activated: REPLACE the seat belt pre-tensioner assemblies with new fasteners.	If the pre-tensioners have NOT been activated: [same text as in current manual]
Diagnosis sensor unit	If any of the SRS components have been activated: REPLACE the Diagnosis sensor unit. Install with new fasteners.	If none of the SRS components have been activated: [same text as in current manual]
Steering wheel	[same text as in current manual]	

# COLLISION DIAGNOSIS

## < SERVICE INFORMATION >

Part	SRS is activated	SRS is NOT activated
Spiral cable	If the Driver airbag has deployed: REPLACE the spiral cable.	If the Driver airbag has not deployed: [same text as in current manual]
Harness and connectors	<ol style="list-style-type: none"> <li>1. Check connectors for poor connection, damage, and terminals for deformities.</li> <li>2. Check harness for binding, chafing, cuts, or deformities.</li> <li>3. If no damage is found, reinstall the harness and connectors.</li> <li>4. If damaged—REPLACE damaged section of harness. Do not repair, splice or modify any SRS harness.</li> </ol>	
Instrument panel	<ol style="list-style-type: none"> <li>1. Visually check instrument panel for damage.</li> <li>2. If no damage is found, reinstall the instrument panel.</li> <li>3. If damaged—REPLACE the instrument panel with bolts.</li> </ol>	

### For Side Collision

INFOID:000000001327774

#### WHEN THE SIDE AIR BAG IS ACTIVATED IN THE SIDE COLLISION:

1. Replace the following components:
  - All parts of front seatback (including front seatback frame) with front side air bag module (on the side on which front side air bag is activated)
  - Curtain air bag module (on the side on which side curtain airbag is activated)
  - Diagnosis sensor unit
  - Satellite sensor (on the side on which side air bag and side curtain air bag are activated)
2. Check the SRS components and the related parts using the following table.
  - Replace any SRS components and the related parts showing visible signs of damage (dents, cracks, deformation).
3. Conduct self-diagnosis using CONSULT-III or "AIR BAG" warning lamp. Refer to [SRS-23, "SRS Operation Check"](#). Ensure entire SRS operates properly.

#### WHEN SRS IS NOT ACTIVATED IN THE SIDE COLLISION:

1. Check the SRS components and the related parts using the following table.
  - Replace any SRS components and the related parts showing visible signs of damage (dents, cracks, deformation).
2. Conduct self-diagnosis using CONSULT-III or "AIR BAG" warning lamp. Refer to [SRS-23, "SRS Operation Check"](#). Ensure entire SRS operates properly.

#### SRS INSPECTION (FOR SIDE COLLISION)

Part	Front side air bag and side curtain air bag are activated	Front side air bag and side curtain air bag are NOT activated
LH or RH side curtain air bag module	REPLACE the side curtain air bag module. (Repair the center pillar inner, etc. before installing new one if damaged.)	<ol style="list-style-type: none"> <li>1. Check for visible signs of damage (dents, tears, deformation) of the center pillar on the collision side.</li> <li>2. If damaged—Remove the side curtain air bag module.</li> <li>3. Check for visible signs of damaged (tears etc.) of the LH or RH side curtain air bag module.</li> <li>4. Check harness and connectors for damage, and terminals for deformities.</li> <li>5. If no damage is found, reinstall the LH or RH side curtain air bag module with new bolts.</li> <li>6. If damaged—REPLACE the LH or RH side curtain air bag module with new bolts.</li> </ol>
Front LH or RH side air bag module	REPLACE all parts of seatback with deployed front side air bag module.	<ol style="list-style-type: none"> <li>1. Check for visible signs of damage (dents, tears, deformation) of the seatback on the collision side.</li> <li>2. Check harness and connectors for damage, and terminals for deformities.</li> <li>3. If damaged—REPLACE the front seatback assembly. Air bag must be deployed before disposal.</li> </ol>



# COLLISION DIAGNOSIS

## < SERVICE INFORMATION >

Part	Front side air bag and side curtain air bag are activated	Front side air bag and side curtain air bag are NOT activated
LH or RH side air bag (Satellite) sensor	REPLACE the side air bag (Satellite) sensor on the collision side with new nuts. (Repair the center pillar inner, etc. before installing new one if damaged.)	<ol style="list-style-type: none"> <li>1. Remove the LH or RH side air bag (Satellite) sensor on the collision side. Check harness connectors for damage, terminals for deformities, and harness for binding.</li> <li>2. Check for visible signs of damage (dents, cracks, deformation) of the LH or RH side air bag (Satellite) sensor.</li> <li>3. Install the LH or RH side air bag (Satellite) sensor to check fit.</li> <li>4. If no damage is found, reinstall the LH or RH side air bag (Satellite) sensor with new nuts.</li> <li>5. If damaged—REPLACE the LH or RH side air bag (Satellite) sensor with new nuts.</li> </ol>
Diagnosis sensor unit	REPLACE the diagnosis sensor unit with the new bolts.	<ol style="list-style-type: none"> <li>1. Check case and bracket for dents, cracks or deformities.</li> <li>2. Check connectors for damage, and terminals for deformities.</li> <li>3. If no damage is found, reinstall the diagnosis sensor unit with new bolts and ground bolt.</li> <li>4. If damaged—REPLACE the diagnosis sensor unit with new bolts and ground bolt.</li> </ol>
Seat belt pre-tensioner assembly	<ol style="list-style-type: none"> <li>1. Check if the seat belt can be extended smoothly. If the seat belt cannot be extended smoothly, - Check for deformities of the center pillar inner. - If the center pillar inner has no damage, REPLACE the seat belt pre-tensioner assembly.</li> <li>2. Remove the seat belt pre-tensioner assembly on the collision side. Check harness cover and connectors for damage, terminals for deformities, and harness for binding.</li> <li>3. Check for visible signs of damage (dents, cracks, deformation) of the seat belt pre-tensioner assembly.</li> <li>4. Check seat belt adjuster for damage.</li> <li>5. If no damage is found, reinstall the seat belt pre-tensioner assembly.</li> <li>6. If damaged—REPLACE the seat belt pre-tensioner assembly with new bolts.</li> </ol>	
Seat with front side air bag	REPLACE all parts of front seatback (including front seatback frame)	<ol style="list-style-type: none"> <li>1. Visually check the seat on the collision side.</li> <li>2. Remove the seat on the collision side and check the following for damage and deformities. - Harness, connectors and terminals - Frame and recliner (for front and rear seat), and also adjuster and slides (for front seat)</li> <li>3. If no damage is found, reinstall the seat.</li> <li>4. If damaged—REPLACE the damaged seat parts using new bolts.</li> </ol>
Center inner pillar	<ol style="list-style-type: none"> <li>1. Check the center inner pillar on the collision side for damage (dents, cracks, deformation).</li> <li>2. If damaged—REPAIR the center inner pillar.</li> </ol>	
Trim/headlining	<ol style="list-style-type: none"> <li>1. Check for visible signs of damage (dents, cracks, deformation) of the interior trim on the collision side.</li> <li>2. If damaged—REPLACE the damaged trim parts.</li> </ol>	

A  
B  
C  
D  
E  
F  
G  
I  
J  
K  
L  
M  
N  
O  
P

SRS